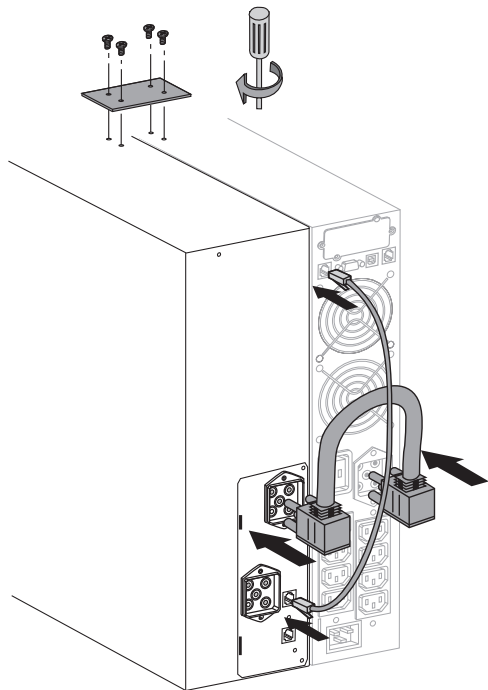


EX EXB

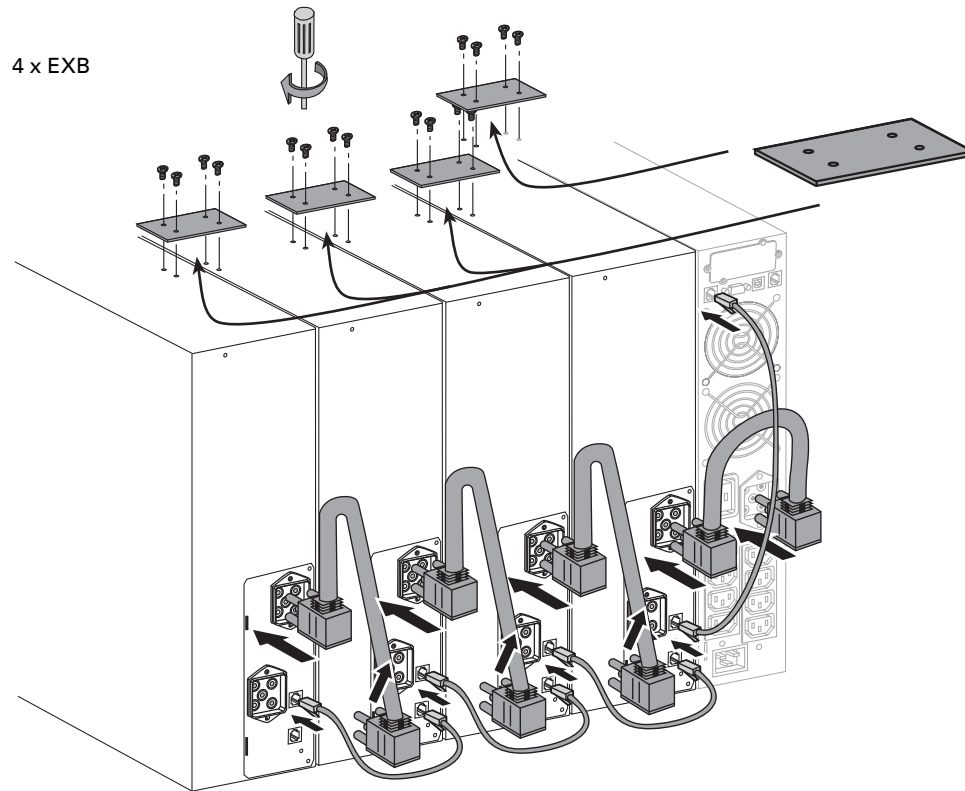
Installation manual

Manuel d'installation

1 x EXB

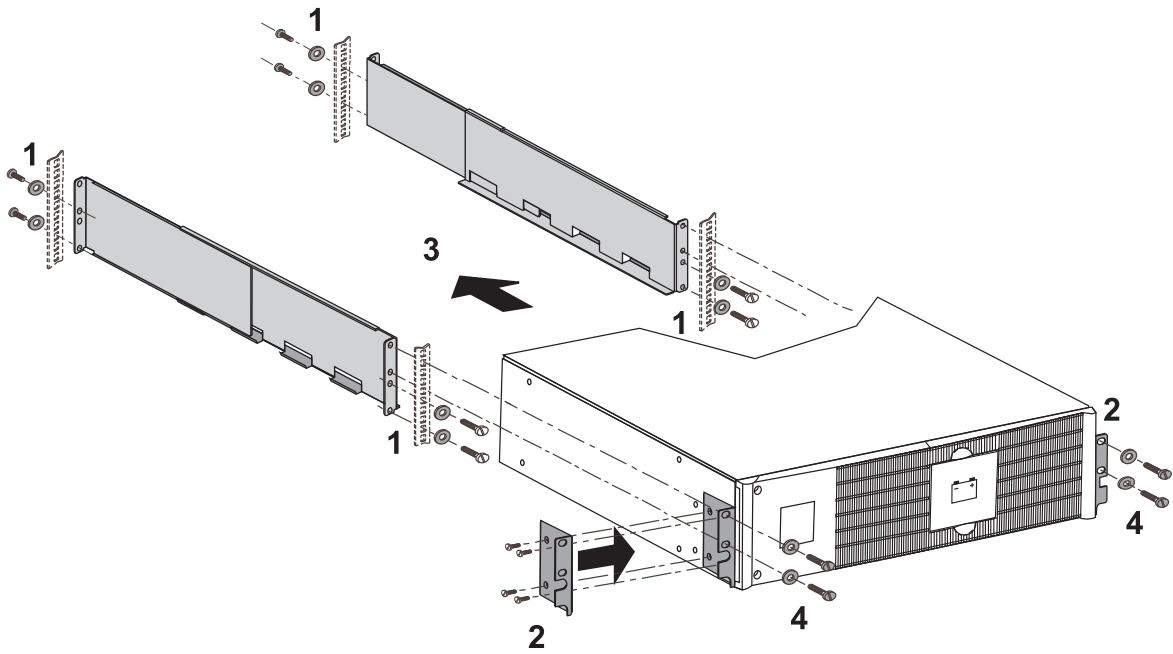


4 x EXB

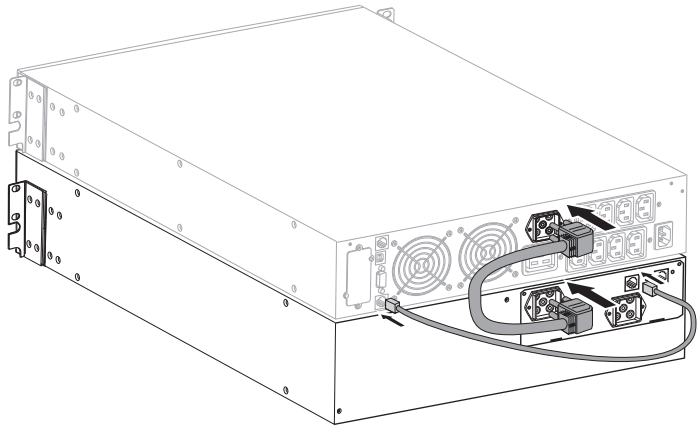


3400816700/AD

EATON
Powering Business Worldwide



1 x EXB



4 x EXB

