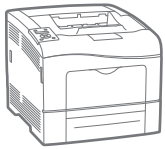


Xerox Phaser 6600

Color Printer

Imprimante couleur



Xerox® Phaser® 6600

User Guide

Guide d'utilisation

Italiano Guida per l'utente

Deutsch Benutzerhandbuch

Español Guía del usuario

Português Guia do usuário

Nederlands Gebruikershandleiding

Svenska Användarhandbok

Dansk Betjeningsvejledning

Suomi Käyttöopas

Norsk Brukerhåndbok

Русский Руководство пользователя

Čeština Uživatelská příručka

Polski Przewodnik użytkownika

Magyar Felhasználói útmutató

Türkçe Kullanıcı Kılavuzu

Ελληνικά Εγχειρίδιο χρήστη

© 2012 Xerox Corporation. All rights reserved. Unpublished rights reserved under the copyright laws of the United States. Contents of this publication may not be reproduced in any form without permission of Xerox Corporation.

Copyright protection claimed includes all forms of matters of copyrightable materials and information now allowed by statutory or judicial law or hereinafter granted, including without limitation, material generated from the software programs which are displayed on the screen such as styles, templates, icons, screen displays, looks, and so on.

XEROX® and XEROX and Design®, Phaser®, PhaserSMART®, PhaserMatch®, PhaserCal®, PhaserMeter™, CentreWare®, PagePack®, eClick®, PrintingScout®, Walk-Up®, WorkCentre®, FreeFlow®, SMARTsend®, Scan to PC Desktop®, MeterAssistant®, SuppliesAssistant®, Xerox Secure Access Unified ID System®, Xerox Extensible Interface Platform®, ColorQube®, Global Print Driver®, and Mobile Express Driver® are trademarks of Xerox Corporation in the United States and/or other countries.

Adobe® Reader®, Adobe® Type Manager®, ATM™, Flash®, Macromedia®, Photoshop®, and PostScript® are trademarks of Adobe Systems Incorporated in the United States and/or other countries.

Apple®, AppleTalk®, Bonjour®, EtherTalk®, Macintosh®, Mac OS®, and TrueType® are trademarks of Apple Inc., registered in the U.S. and other countries.

HP-GL®, HP-UX®, and PCL® are trademarks of Hewlett-Packard Corporation in the United States and/or other countries.

IBM® and AIX® are trademarks of International Business Machines Corporation in the United States and/or other countries.

Microsoft®, Windows Vista®, Windows®, and Windows Server® are trademarks of Microsoft Corporation in the United States and other countries.

Novell®, NetWare®, NDPS®, NDS®, IPX™, and Novell Distributed Print Services™ are trademarks of Novell, Inc. in the United States and other countries.

SGI® and IRIX® are trademarks of Silicon Graphics International Corp. or its subsidiaries in the United States and/or other countries.

Sun, Sun Microsystems, and Solaris are trademarks or registered trademarks of Oracle and/or its affiliates in the United States and other countries.

UNIX® is a trademark in the United States and other countries, licensed exclusively through X/Open Company Limited.

PANTONE® and other Pantone, Inc. trademarks are the property of Pantone, Inc.

Document version 1.1: September 2012

Contents

| | | |
|---|--|----|
| 1 | Safety | 9 |
| | Electrical Safety..... | 10 |
| | General Guidelines..... | 10 |
| | Power Cord..... | 10 |
| | Emergency Turn Off..... | 11 |
| | Telephone Line Cord..... | 11 |
| | Laser Safety..... | 11 |
| | Operational Safety..... | 12 |
| | Operational Guidelines..... | 12 |
| | Ozone Release..... | 12 |
| | Printer Location..... | 12 |
| | Printer Supplies..... | 13 |
| | Maintenance Safety..... | 14 |
| | Printer Symbols..... | 15 |
| | Environmental, Health, and Safety Contact Information..... | 16 |
| 2 | Features | 17 |
| | Parts of the Printer..... | 18 |
| | Front View..... | 18 |
| | Rear View..... | 19 |
| | Internal Parts..... | 19 |
| | Control Panel..... | 20 |
| | Energy Saver Mode..... | 22 |
| | Exiting Energy Saver Mode..... | 22 |
| | Information Pages..... | 23 |
| | Configuration Report..... | 23 |
| | Printing a Configuration Report..... | 23 |
| | Administrative Features..... | 24 |
| | Finding the IP Address of the Printer..... | 24 |
| | CentreWare Internet Services..... | 24 |
| | Accessing the Printer..... | 24 |
| | Meter Readings..... | 25 |
| | More Information..... | 26 |
| 3 | Installation and Setup | 27 |
| | Installation and Setup Overview..... | 28 |
| | Selecting a Location for the Printer..... | 29 |
| | Connecting the Printer..... | 30 |
| | Selecting a Connection Method..... | 30 |
| | Connecting to a Computer Using USB..... | 30 |

| | |
|--|----|
| Connecting to a Wired Network | 31 |
| Connecting to a Wireless Network | 31 |
| Configuring Network Settings | 40 |
| About TCP/IP and IP Addresses | 40 |
| Assigning the Printer IP Address | 41 |
| Configuring General Setup Using CentreWare Internet Services | 44 |
| Viewing Printer Information | 44 |
| Cloning the Printer Settings | 44 |
| Configuring Email Alerts | 45 |
| Configuring System Settings | 45 |
| Configuring Clock Settings | 46 |
| Configuring Tray Settings..... | 46 |
| Setting Up a Proxy Server | 46 |
| Configuring General Setup Using the Control Panel | 48 |
| Getting Information About the Printer..... | 48 |
| Using the Power On Wizard | 48 |
| Configuring System Settings | 49 |
| Configuring the Output Settings | 53 |
| Configuring Tray Settings..... | 54 |
| Configuring Security Settings Using CentreWare Internet Services | 56 |
| Opening the Security Menu | 56 |
| Configuring Administrative Security Settings..... | 56 |
| Configuring Secure Settings..... | 57 |
| Configuring the Host Access List | 57 |
| Configuring IPsec Settings | 58 |
| Configuring 802.1x Settings | 59 |
| Configuring SSL Settings..... | 60 |
| Managing Certificates | 61 |
| Configuring Secure Settings Using the Control Panel..... | 66 |
| Setting the Date and Time..... | 66 |
| Setting the Panel Lock | 67 |
| Configuring the Data Encryption Settings..... | 67 |
| Logging In at the Control Panel..... | 68 |
| Limiting Login Attempts | 68 |
| Configuring the USB Setup | 68 |
| Configuring Smart eSolutions | 69 |
| Using Smart eSolutions | 69 |
| Overview for Setting Up Smart eSolutions | 69 |
| Enabling the Proxy Server | 70 |
| Validate DNS Settings and Enable SSL..... | 70 |
| Registering with the Xerox Communication Server..... | 71 |
| Setting Up Email Notifications for Billing Meter Read Alerts..... | 71 |
| Setting Up Email Notifications for Supplies Data Send Alerts..... | 72 |
| Installing the Software | 73 |
| Operating System Requirements..... | 73 |
| Installing the Print Drivers for a Windows Network Printer | 73 |
| Installing the Print Drivers for a Windows USB Printer | 74 |

| | |
|--|-----------|
| Installing Drivers and Utilities for Macintosh OS X Version 10.5 and Later | 74 |
| Installing Drivers and Utilities for UNIX and Linux | 75 |
| Other Drivers..... | 76 |
| Installing the Printer as a Web Service on Devices..... | 76 |
| 4 Paper and Media | 79 |
| Supported Paper | 80 |
| Recommended Media..... | 80 |
| Ordering Paper | 80 |
| General Paper Loading Guidelines | 80 |
| Paper That Can Damage Your Printer..... | 81 |
| Paper Storage Guidelines..... | 81 |
| Supported Paper Types and Weights | 82 |
| Supported Standard Paper Sizes..... | 82 |
| Supported Paper Types and Weights for Automatic 2-Sided Printing..... | 82 |
| Supported Standard Paper Sizes for Automatic 2-Sided Printing | 83 |
| Supported Custom Paper Sizes..... | 83 |
| Loading Paper..... | 84 |
| Loading Paper in the Bypass Tray | 84 |
| Configuring Trays 1 or 2 for the Paper Length | 86 |
| Loading Paper in Trays 1 and 2 | 87 |
| Printing on Special Paper..... | 90 |
| Envelopes..... | 90 |
| Labels..... | 93 |
| Glossy Cardstock..... | 94 |
| 5 Printing | 97 |
| Printing Overview..... | 98 |
| Selecting Printing Options..... | 99 |
| Print Driver Help..... | 99 |
| Windows Printing Options | 99 |
| Macintosh Printing Options..... | 101 |
| Printing Features..... | 102 |
| Printing on Both Sides of the Paper | 102 |
| Orientation..... | 103 |
| Selecting Paper Options for Printing | 104 |
| Printing Multiple Pages to a Single Sheet | 104 |
| Printing Booklets..... | 104 |
| Print Quality..... | 105 |
| Image Options | 105 |
| Printing Watermarks | 106 |
| Scaling | 106 |
| Printing Mirror Images | 107 |
| Printing Special Job Types | 107 |
| Using Custom Paper Sizes | 108 |
| Defining Custom Paper Sizes..... | 108 |

| | | |
|----------|--|------------|
| | Creating and Saving Custom Paper Sizes | 108 |
| | Printing on Custom Paper Sizes | 109 |
| 6 | Maintenance | 111 |
| | Cleaning the Printer | 112 |
| | General Precautions | 112 |
| | Cleaning the Exterior..... | 112 |
| | Cleaning the Interior..... | 113 |
| | Adjustments and Maintenance Procedures | 122 |
| | Color Registration | 122 |
| | Ordering Supplies..... | 125 |
| | Consumables | 125 |
| | Routine Maintenance Items | 125 |
| | When to Order Supplies..... | 126 |
| | Viewing Printer Supply Status | 126 |
| | Recycling Supplies..... | 126 |
| | Toner Cartridges..... | 127 |
| | Managing the Printer | 128 |
| | Checking Page Counts | 128 |
| | Changing the Passcode Using the Control Panel..... | 129 |
| | Moving the Printer..... | 130 |
| 7 | Troubleshooting | 133 |
| | General Troubleshooting | 134 |
| | Printer Does Not Turn On..... | 134 |
| | Printer Resets or Turns Off Frequently | 134 |
| | Printer Does Not Print | 135 |
| | Printing Takes Too Long..... | 136 |
| | Document Prints From Wrong Tray | 136 |
| | Automatic 2-Sided Printing Problems | 136 |
| | Printer is Making Unusual Noises | 137 |
| | Paper Tray Will Not Close | 137 |
| | Condensation has Formed Inside the Printer | 137 |
| | Paper Jams | 138 |
| | Locating Paper Jams | 138 |
| | Clearing Paper Jams..... | 139 |
| | Troubleshooting Paper Jams | 148 |
| | Print-Quality Problems | 150 |
| | Getting Help | 157 |
| | Control Panel Messages | 157 |
| | Using the Integrated Troubleshooting Tools..... | 158 |
| | Online Support Assistant..... | 158 |
| | Information Pages..... | 158 |
| | More Information | 159 |
| A | Specifications | 161 |

| | |
|--|------------|
| Printer Configurations and Options..... | 162 |
| Available Configurations..... | 162 |
| Standard Features | 162 |
| Options and Upgrades..... | 162 |
| Physical Specifications | 163 |
| Weights and Dimensions | 163 |
| Standard Configuration | 163 |
| Configuration with Optional 550-Sheet Feeder | 163 |
| Total Space Requirements..... | 164 |
| Clearance Requirements | 164 |
| Clearance Requirements with Optional 550-Sheet Feeder | 165 |
| Environmental Specifications..... | 166 |
| Temperature..... | 166 |
| Relative Humidity..... | 166 |
| Elevation | 166 |
| Electrical Specifications | 167 |
| Power Supply Voltage and Frequency..... | 167 |
| Power Consumption | 167 |
| ENERGY STAR Qualified Product | 167 |
| Performance Specifications | 168 |
| Print Speed..... | 168 |
| Controller Specifications..... | 169 |
| Processor..... | 169 |
| Memory..... | 169 |
| Interfaces | 169 |
| B Regulatory Information | 171 |
| Basic Regulations..... | 172 |
| United States FCC Regulations | 172 |
| Canada..... | 172 |
| European Union..... | 172 |
| European Union Lot 4 Imaging Equipment Agreement Environmental Information | 173 |
| Germany | 174 |
| Turkey RoHS Regulation..... | 174 |
| Material Safety Data Sheets | 175 |
| C Recycling and Disposal | 177 |
| All Countries | 178 |
| North America | 179 |
| European Union | 180 |
| Domestic/Household Environment | 180 |
| Professional/Business Environment | 180 |
| Collection and Disposal of Equipment and Batteries | 181 |
| Battery Symbol Note..... | 181 |
| Battery Removal..... | 181 |

Other Countries 182

Safety

1

This chapter includes:

- [Electrical Safety](#)..... 10
- [Operational Safety](#) 12
- [Maintenance Safety](#) 14
- [Printer Symbols](#)..... 15
- [Environmental, Health, and Safety Contact Information](#)..... 16

Your printer and the recommended supplies have been designed and tested to meet strict safety requirements. Attention to the following information ensures the continued safe operation of your Xerox® printer.

Electrical Safety

This section includes:

- [General Guidelines](#) 10
- [Power Cord](#)..... 10
- [Emergency Turn Off](#)..... 11
- [Telephone Line Cord](#)..... 11
- [Laser Safety](#)..... 11

General Guidelines



WARNINGS:

- Do not push objects into slots or openings on the printer. Touching a voltage point or shorting out a part could result in fire or electrical shock.
- Do not remove the covers or guards that are fastened with screws unless you are installing optional equipment and are instructed to do so. Turn off the printer when performing these installations. Disconnect the power cord when removing covers and guards for installing optional equipment. Except for user-installable options, there are no parts that you can maintain or service behind these covers.

The following are hazards to your safety:

- The power cord is damaged or frayed.
- Liquid is spilled into the printer.
- The printer is exposed to water.
- The printer emits smoke, or the surface is unusually hot.
- The printer emits unusual noise or odors.
- The printer causes a circuit breaker, fuse, or other safety device to activate.

If any of these conditions occur, do the following:

1. Turn off the printer immediately.
2. Disconnect the power cord from the electrical outlet.
3. Call an authorized service representative.

Power Cord

- Use the power cord supplied with your printer.
- Plug the power cord directly into a properly grounded electrical outlet. Ensure that each end of the cord is connected securely. If you do not know if an outlet is grounded, ask an electrician to check the outlet.

- Do not use a ground adapter plug to connect the printer to an electrical outlet that does not have a ground connection terminal.



WARNING: Avoid the potential of electrical shock by ensuring that the printer is grounded properly. Electrical products can be hazardous if misused.

- Only use an extension cord or power strip designed to handle the electrical current capacity of the printer.
- Verify that the printer is plugged into an outlet that is providing the correct voltage and power. Review the electrical specification of the printer with an electrician if necessary.
- Do not place the printer in an area where people can step on the power cord.
- Do not place objects on the power cord.
- Do not plug or unplug the power cord while the power switch is in the On position.
- If the power cord becomes frayed or worn, replace it.
- To avoid electrical shock and damage to the cord, grasp the plug when unplugging the power cord.

The power cord is attached to the printer as a plug-in device on the back of the printer. If it is necessary to disconnect all electrical power from the printer, disconnect the power cord from the electrical outlet.

Emergency Turn Off

If any of the following conditions occur, turn off the printer immediately and disconnect the power cord from the electrical outlet. Contact an authorized Xerox Service Representative to correct the problem if:

- The equipment emits unusual odors or makes unusual noises.
- The power cable is damaged or frayed.
- A wall panel circuit breaker, fuse, or other safety device has been tripped.
- Liquid is spilled into the printer.
- The printer is exposed to water.
- Any part of the printer is damaged.

Telephone Line Cord



WARNING: To reduce the risk of fire, use only No. 26 American Wire Gauge (AWG) or larger telecommunication line cord.

Laser Safety

This printer complies with laser product performance standards set by governmental, national, and international agencies and is certified as a Class 1 Laser Product. The printer does not emit hazardous light because the beam is totally enclosed during all modes of customer operation and maintenance.



WARNING: Use of controls, adjustments, or performance of procedures other than those specified in this manual can result in hazardous radiation exposure.

Operational Safety

Your printer and supplies were designed and tested to meet strict safety requirements. These include safety agency examination, approval, and compliance with established environmental standards.

Your attention to the following safety guidelines helps to ensure the continued, safe operation of your printer.

Operational Guidelines

- Do not remove any paper trays while the printer is printing.
- Do not open the doors when the printer is printing.
- Do not move the printer when it is printing.
- Keep hands, hair, neckties, and so on, away from the exit and feed rollers.
- Covers, which require tools for removal, protect the hazard areas within the printer. Do not remove the protective covers.

Ozone Release

This printer produces ozone during normal operation. The amount of ozone produced is dependent on copy volume. Ozone is heavier than air and is not produced in amounts large enough to harm anyone. Install the printer in a well-ventilated room.

For more information in the United States and Canada, go to www.xerox.com/environment. In other markets, please contact your local Xerox® representative or go to www.xerox.com/environment_europe.

Printer Location

- Place the printer on a level, solid, non-vibrating surface with adequate strength to hold its weight. To find the weight for your printer configuration, see [Physical Specifications](#) on page 163.
- Do not block or cover the slots or openings on the printer. These openings are provided for ventilation and to prevent overheating of the printer.
- Place the printer in an area where there is adequate space for operation and servicing.
- Place the printer in a dust-free area.
- Do not store or operate the printer in an extremely hot, cold, or humid environment.
- Do not place the printer near a heat source.
- Do not place the printer in direct sunlight to avoid exposure to light-sensitive components.
- Do not place the printer where it is directly exposed to the cold air flow from an air conditioning system.
- Do not place the printer in locations susceptible to vibrations.
- For optimum performance, use the printer at the elevations specified in [Elevation](#) on page 166.

Printer Supplies

- Use the supplies designed for your printer. The use of unsuitable materials can cause poor performance and a possible safety hazard.
- Follow all warnings and instructions marked on, or supplied with, the product, options, and supplies.
- Store all consumables in accordance with the instructions given on the package or container.
- Keep all consumables away from the reach of children.
- Never throw toner, print/drum cartridges, or toner containers into an open flame.
- When handling cartridges, for example toner and such, avoid skin or eye contact. Eye contact can cause irritation and inflammation. Do not attempt to disassemble the cartridge, which can increase the risk of skin or eye contact.















CAUTION: Use of non-Xerox[®] supplies is not recommended. The Xerox[®] Warranty, Service Agreement, and Total Satisfaction Guarantee do not cover damage, malfunction, or degradation of performance caused by use of non-Xerox[®] supplies, or the use of Xerox[®] supplies not specified for this printer. The Total Satisfaction Guarantee is available in the United States and Canada. Coverage could vary outside these areas. Please contact your Xerox representative for details.

Maintenance Safety

- Do not attempt any maintenance procedure that is not specifically described in the documentation supplied with your printer.
- Do not use aerosol cleaners. Clean with a dry lint-free cloth only.
- Do not burn any consumables or routine maintenance items. For information on Xerox® supplies recycling programs, go to www.xerox.com/gwa.

Printer Symbols

| Symbol | Description |
|--|---|
|  | Warning: Indicates a hazard which, if not avoided, could result in death or serious injury. |
|  | Caution: Indicates a mandatory action to take in order to avoid damage to the property. |
|  | Hot surface on or in the printer. Use caution to avoid personal injury. |
|  | Do not burn the item. |
|   | Do not expose the imaging unit to light for more than 10 minutes. |
|  | Do not expose the imaging unit to direct sunlight. |
|  | Do not touch the part or area of the printer. |
|   175°C 347°F  00:40⁰⁰ | Warning: Wait for the printer to cool for the specified time before touching the fuser. |
|  | This item can be recycled. For details, see Recycling and Disposal on page 177. |

Environmental, Health, and Safety Contact Information

For more information on Environment, Health, and Safety in relation to this Xerox® product and supplies, contact the following customer help lines:

| | |
|----------------|------------------|
| United States: | 1-800 828-6571 |
| Canada: | 1-800 828-6571 |
| Europe: | +44 1707 353 434 |

For product safety information in the United States, go to www.xerox.com/environment.

For product safety information in Europe, go to www.xerox.com/environment_europe.

Features

2

This chapter includes:

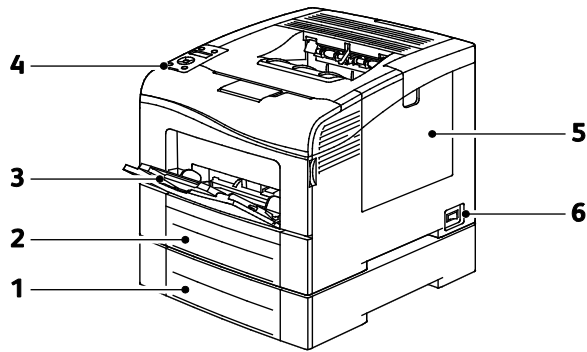
- [Parts of the Printer](#) 18
- [Energy Saver Mode](#) 22
- [Information Pages](#) 23
- [Administrative Features](#)..... 24
- [More Information](#)..... 26

Parts of the Printer

This section includes:

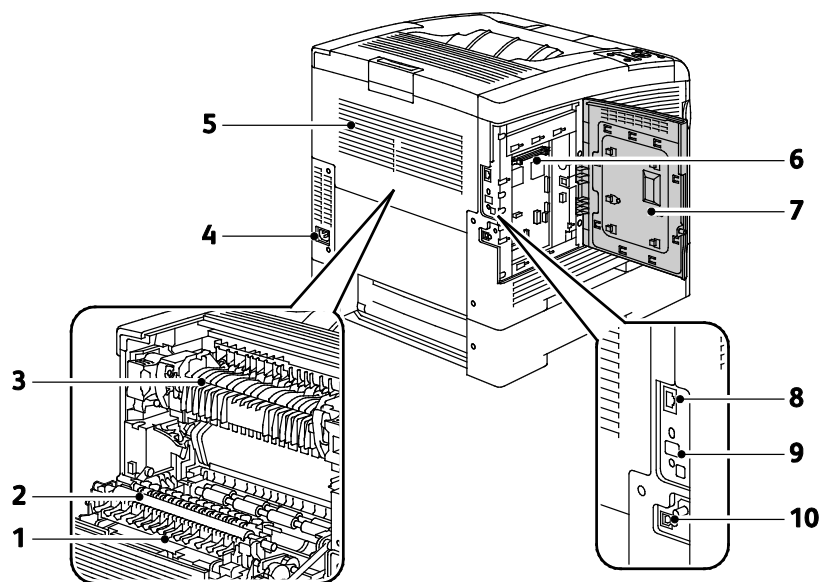
- [Front View](#) 18
- [Rear View](#) 19
- [Internal Parts](#) 19
- [Control Panel](#)..... 19

Front View



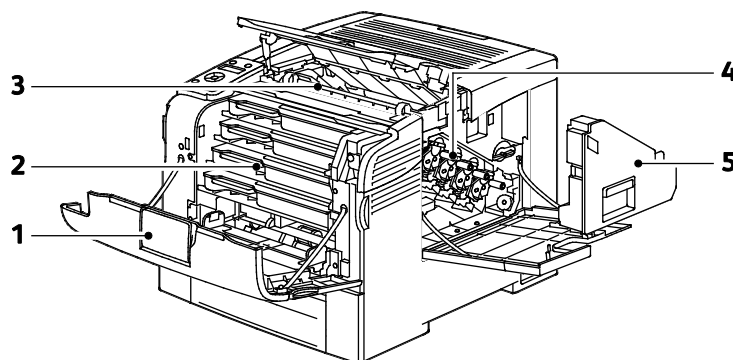
- 1. Tray 2 (optional)
- 2. Tray 1
- 3. Bypass Tray
- 4. Control Panel
- 5. Right Side Door
- 6. Power Switch

Rear View



- | | |
|--------------------|----------------------------------|
| 1. Duplex Unit | 6. Control Board |
| 2. Transfer Roller | 7. Left Side Door |
| 3. Fuser | 8. Ethernet Connection |
| 4. Power Connector | 9. Wireless Network Adapter Port |
| 5. Rear Cover | 10.USB Port |

Internal Parts

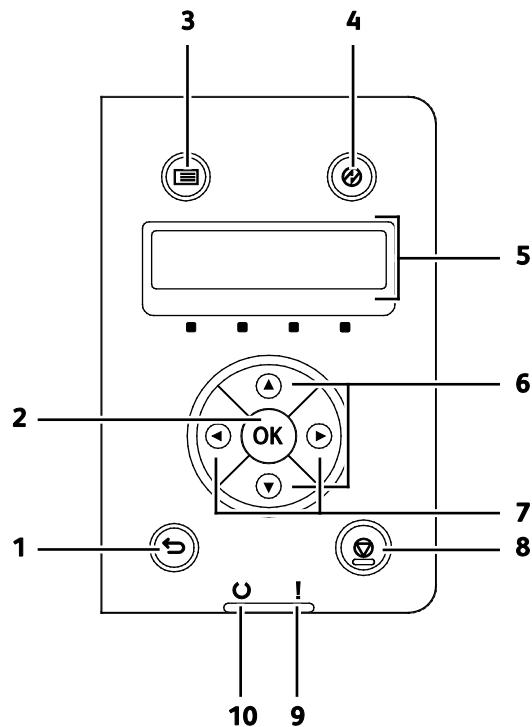


- | | |
|---------------------|--------------------|
| 1. Front Cover | 4. Imaging Unit |
| 2. Toner Cartridges | 5. Waste Cartridge |
| 3. Transfer Belt | |

Control Panel

The control panel consists of a display, indicator lights, and buttons you press to control the functions available on the printer. The control panel:

- Displays the current operating status of the printer.
- Provides access to print features.
- Provides access to reference materials.
- Provides access to administrative and maintenance menus.
- Prompts you to load paper, replace supplies, and clear jams.
- Displays errors and warnings.



1. **Back/Return** button goes up one level in the menu.
2. **OK** button displays the selected menu or selects the current menu option.
3. **Menu** button displays the Information Pages, Billing Meters, Admin, Tray Settings, and Panel Language menus.
4. **Power Saver** enters and exits low-power mode.
5. The control panel display provides information about settings, and status or error messages. An asterisk (*) next to a menu option indicates the current default setting.
6. **Up** and **Down** arrow buttons navigate to the next menu, item, or option.
7. **Left** and **Right** arrow buttons move forward and back through submenus or number fields. To display the Walk-up Features menu and list Secure Jobs and Saved Jobs, press the **Left** arrow button.
8. **Cancel** button ends printing jobs.
9. **Error Indicator**
 - Lights red to indicate an error condition or warning that requires your attention.

- Blinks red when an error occurs that requires technical support.

10. **Ready indicator**

- Lights green when the printer is ready to receive data.
- Blinks green when the printer is busy receiving data.

Energy Saver Mode

You can set the time the printer spends idle in ready mode before the printer transitions to a lower power level.

Exiting Energy Saver Mode

The printer automatically cancels Energy Saver mode when it receives data from a connected computer.

To exit Energy Saver mode manually, press the **Power Saver** button on the control panel.

Information Pages

Your printer has a printable set of information pages. These include configuration and font information, demonstration pages, and more.

Configuration Report

The Configuration Report lists printer information such as default settings, installed options, network settings including IP address, and font settings. Use the information on this page to help you configure network settings for your printer, and to view page counts and system settings.

Printing a Configuration Report

1. At the printer control panel, press the **Menu** button.
Note: To navigate through the menu, use the **Up** or **Down** arrow buttons.
2. Navigate to **Information Pages**, then press **OK**.
3. Navigate to **Configuration**, then press **OK**.

Administrative Features

Finding the IP Address of the Printer

You can view the IP address of your printer on the Configuration Report. IPv4 and IPv6 address information is located in the Network Setup section of the Configuration Report under IPv4 and IPv6.

CentreWare Internet Services

CentreWare Internet Services is the administration and configuration software installed on the embedded Web server in the printer. It allows you to configure and administer the printer from a Web browser.

CentreWare Internet Services requires:

- A TCP/IP connection between the printer and the network in Windows, Macintosh, UNIX, or Linux environments.
- TCP/IP and HTTP enabled in the printer.
- A network-connected computer with a Web browser that supports JavaScript.

Accessing CentreWare Internet Services

At your computer, open a Web browser, type the IP address of the printer in the address field, then press **Enter** or **Return**.

Accessing the Printer

To ensure that unauthorized users cannot access the printer, the system administrator can configure authentication and authorization. If the administrator configures authentication and authorization, you can be required to log in to access some or all of the features of the printer. If the administrator configures accounting, you must type an accounting code to access tracked features.

Logging In

Logging in is the process by which you identify yourself to the printer for authentication. When authentication is set, you must log in to gain access to the printer features.

Logging In to CentreWare Internet Services

When Administrator Mode is enabled, the Jobs, Address Book, Properties, and Support tabs are locked until you enter the administrator user name and password.

To log in to CentreWare Internet Services as the administrator:

1. At your computer, open a Web browser, type the IP address of the printer in the address field, then press **Enter** or **Return**.

Note: If you do not know the IP address of your printer, see [Finding the IP Address of Your Printer](#) on page 24.

2. Click the **Jobs, Address Book, Properties, or Support** tab.
3. Type the administrator user name.
4. Type the password, then type the password again to verify.

Logging In at the Control Panel

1. To enter numbers on the control panel, select an option:
 - To select a number, press the **Up** or **Down** arrow buttons.
 - To scroll quickly, hold down the **Up** or **Down** arrow buttons.
 - To move to the next number field, press the **Right** arrow button.
 - To move to the previous number field, press the **Left** arrow button.
2. When finished, press **OK**.

Meter Readings

The Meter Readings menu shows the number of processed print jobs. The meter is divided according to the color mode. You cannot reset the meter readings; they track the total number of pages printed for the life of the printer.

To view the Billing Meter on the control panel:

1. At the printer control panel, press the **Menu** button.

Note: To navigate through the menu, use the **Up** or **Down** arrow buttons.
2. Navigate to **Billing Meters**, then press **OK**.
3. To select a billing meter, use the **Up** or **Down** arrow buttons.

More Information

You can obtain more information about your printer from these sources:

| Resource | Location |
|---|---|
| <i>Installation Guide</i> | Packaged with the printer. |
| <i>Quick Use Guide</i> | Packaged with the printer. |
| Video Tutorials | www.xerox.com/office/6600docs |
| Recommended Media List | United States: www.xerox.com/paper Europe: www.xerox.com/europaper |
| Technical support information for your printer; includes online Technical Support, Online Support Assistant, and driver downloads. | www.xerox.com/office/6600support |
| Information Pages | Print from the control panel menu. |
| Order supplies for your printer | www.xerox.com/office/6600supplies |
| A resource for tools and information, including interactive tutorials, printing templates, helpful tips, and customized features to meet your individual needs. | www.xerox.com/office/businessresourcecenter |
| Local sales and support center | www.xerox.com/office/worldcontacts |
| Printer Registration | www.xerox.com/office/register |
| Xerox® Direct online store | www.direct.xerox.com/ |

Installation and Setup

3

This chapter includes:

- Installation and Setup Overview 28
- Selecting a Location for the Printer 29
- Connecting the Printer 30
- Configuring Network Settings 40
- Configuring General Setup Using CentreWare Internet Services 44
- Configuring General Setup Using the Control Panel 48
- Configuring Security Settings Using CentreWare Internet Services 56
- Configuring Secure Settings Using the Control Panel 66
- Configuring Smart eSolutions 69
- Installing the Software 73

See also:

Installation Guide packaged with your printer.

Online Support Assistant at www.xerox.com/office/6600support

Installation and Setup Overview

Before printing, your computer and the printer must be plugged in, turned on, and connected. Configure the initial settings of the printer, then install the driver software and utilities on your computer.

You can connect to your printer directly from your computer using USB, or connect over a network using an Ethernet cable or wireless connection. Hardware and cabling requirements vary for the different connection methods. Routers, network hubs, network switches, modems, Ethernet cables, and USB cables are not included with your printer and must be purchased separately. Xerox recommends an Ethernet connection because it is typically faster than a USB connection, and it provides access to CentreWare Internet Services.

Note: If the *Software and Documentation disc* is not available, you can download the latest drivers from www.xerox.com/office/6600drivers.

See also:

[Selecting a Location for the Printer](#) on page 29

[Choosing a Connection Method](#) on page 30

[Connecting the Printer](#) on page 30

[Configuring Network Settings](#) on page 40

[Installing the Software](#) on page 73

Selecting a Location for the Printer

1. Select a dust-free area with temperatures from 10–32°C (50–90°F), and relative humidity 15–85 %.

Note: Sudden temperature fluctuations can affect print quality. Rapid heating of a cold room can cause condensation inside the printer, directly interfering with image transfer.

2. Place the printer on a level, solid, non-vibrating surface with adequate strength for the weight of the printer. The printer must be horizontal with all four feet in solid contact with the surface. To find the weight for your printer configuration, see [Physical Specifications](#) on page 163.

After positioning the printer, you are ready to connect it to the power source and computer or network.

See also:

[Total Space Requirements](#) on page 164

[Clearance Requirements](#) on page 164

Connecting the Printer

This section includes:

- [Selecting a Connection Method](#) 30
- [Connecting to a Computer Using USB](#) 30
- [Connecting to a Wired Network](#) 31
- [Connecting to a Wireless Network](#) 31

Selecting a Connection Method

The printer can be connected to your computer using a USB cable or an Ethernet cable. The method you select depends on how your computer is connected to the network. A USB connection is a direct connection and is the easiest to set up. An Ethernet connection is used for networking. If you are using a network connection, it is important to understand how your computer is connected to the network. For details, see [About TCP/IP and IP Addresses](#) on page 40.

Note: Hardware and cabling requirements vary for the different connection methods. Routers, network hubs, network switches, modems, Ethernet cables, and USB cables are not included with your printer and must be purchased separately.

- **Network:** If your computer is connected to an office network or home network, use an Ethernet cable to connect the printer to the network. You cannot connect the printer directly to the computer. It must be connected through a router or hub. An Ethernet network can be used for one or more computers and supports many printers and systems simultaneously. Ethernet connection is typically faster than USB and allows you direct access to the settings of the printer using CentreWare Internet Services.
- **Wireless Network:** If your computer includes a wireless router or wireless access point, you can connect the printer to the network with a wireless connection. A wireless network connection provides the same access and services as a wired connection provides. A wireless network connection is typically faster than USB and allows direct access to the setting of the printer using CentreWare Internet Services. The optional Wireless Network Adapter plugs in to the back of the control board. After the adapter has been installed, and wireless networking has been enabled and configured, the adapter can connect to a wireless network.
- **USB:** If you connect the printer to one computer and do not have a network, use a USB connection. A USB connection offers fast data speeds, but typically not as fast as an Ethernet connection. In addition, a USB connection does not provide access to CentreWare Internet Services.

Connecting to a Computer Using USB

To use USB, you must have Windows XP SP1 and later, Windows Server 2003 and later, or Macintosh OS X version 10.5 and later.

To connect the printer to the computer using a USB cable:

1. Ensure that the printer is turned off.
2. Connect the B end of a standard A/B USB 2.0 cable to the USB Port on the back of the printer.
3. Attach the power cord and then plug in the printer and turn it on.
4. Connect the A end of the USB cable to the USB Port on the computer.
5. When the Windows Found New Hardware Wizard appears, cancel it.
6. You are ready to install the print drivers. For details, see [Installing the Software](#) on page 73.

Connecting to a Wired Network

1. Ensure that the printer is turned off.
2. Attach a Category 5 or better Ethernet cable from the printer to the network or router socket. Use an Ethernet hub or router, and two or more Ethernet cables. Connect the computer to the hub or router with one cable, then connect the printer to the hub or router with the second cable. Connect to any port on the hub or router except the uplink port.
3. Attach the power cord, then plug in the printer and turn it on.
4. Set or automatically discover the network IP address of the printer.

For details, see [Assigning the IP address of the printer](#) on page 41.

Connecting to a Wireless Network

A wireless local area network (LAN) provides the means to connect two or more devices in a LAN without a physical connection. The printer can connect to a wireless LAN that includes a wireless router or wireless access point. Before connecting the printer to a wireless network, the wireless router must be configured with a service set identifier (SSID), a passphrase, and security protocols.

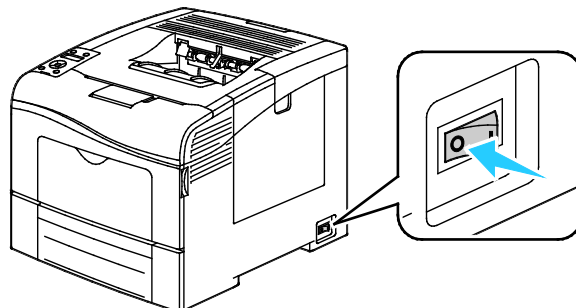
Note: Wireless networking is available only on printers with the optional Wireless Network Adapter installed.

Installing the Wireless Network Adapter

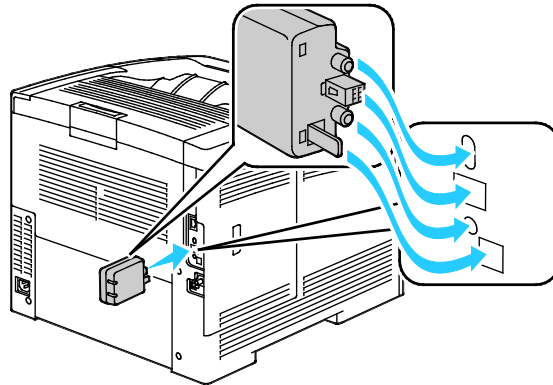
The optional Wireless Network Adapter plugs in to the back of the control board. After the adapter has been installed, and wireless networking has been enabled and configured, the adapter can connect to a wireless network.

To install the Wireless Network Adapter:

1. Turn off the printer.



2. Remove the packaging from the Wireless Network Adapter.
3. Follow the installation sheet and install the Wireless Network Adapter on the printer.



Note: When the Wireless Network Adapter is installed, remove it only as needed and after reading the instructions for removing the Wireless Network Adapter.

4. To enable the Wireless Network Adapter, disconnect the Ethernet cable from the printer.
5. Turn on the printer.
6. In the Admin Menu, configure the Wi-Fi Settings.

See also:

[Connecting to a network with a Wi-Fi protected setup](#) on page 33

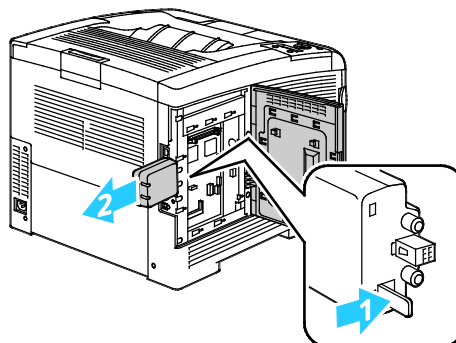
[Connecting to a wireless network using the control panel](#) on page 35

[Connecting to a wireless network manually](#) on page 36

[Connecting to a wireless network using CentreWare Internet Services](#) on page 37

Removing the Wireless Network Adapter

1. Turn off the printer.
2. Unscrew the thumbscrew on the back of the left door, then open the left door.
3. Locate the plastic latch release on the Wireless Network Adapter protruding through the back of the chassis.



- Reach into the chassis and push inward, then back on the latch release.



CAUTION: Do not use force to pull on the Wireless Network Adapter. If the latch is released properly, the adapter pulls out easily. Pulling on the adapter can damage it.

- Close the left door, then screw in the thumbscrew on the back of the door.
- Connect the printer to your computer with a USB cable or through the network using an Ethernet cable.
- Turn on the printer.

Resetting Wireless Settings

If the printer was previously installed in a wireless network environment, it could retain setup and configuration information.

To prevent the printer from trying to connect to the previous network, perform the following steps:

- At the printer control panel, press the **Menu** button.
Note: To navigate through the menu, use the **Up** or **Down** arrow buttons.
- Navigate to **Admin Settings**, then press **OK**.
- Navigate to **Network Setup**, then press **OK**.
- Navigate to **Wi-Fi Setup**, then press **OK**.
- Navigate to **Reset Wi-Fi**, then press **OK**.
- To confirm, press **OK**.

Connecting to a Network with a Wi-Fi Protected Setup

Wi-Fi Protected Setup (WPS) is a network standard for setting up a wireless network. The WPS protocols allow you with no wireless network experience to set up devices in a secure wireless network. With a WPS-certified router, you can use tools in the router and the printer to connect the printer to the network. In order to use the tools, the wireless router must be configured properly and must be compliant with the WPS.

- Push Button Connection (PBC) is the easiest way to connect the printer to a wireless network. It automatically connects when you push a button on the router and on the printer. After the router and printer exchange information, the printer accepts the security and configuration information from the router and connects to the network. The PBC is a moderately secure way to connect the printer to the network. You do not need to enter any information to make the network connection.
- PIN (Personal Identification Number) automatically connects the printer to wireless router by using a common PIN. The printer generates and prints a PIN for use in the setup process. When you enter the PIN into the router, the router broadcasts network information using the PIN. When both devices recognize the PIN, the router provides the security and configuration information to the printer, which uses it to connect to the network.

To connect to a WPS wireless network using the PBC method:

Note: The wireless router must be connected and properly configured for the network before you install the printer.

1. On the wireless router, push the PBC button.
The router broadcasts setup information for 120 seconds.

Note: If the wireless router does not have a physical PBC button, use your computer to select the virtual button in the router control panel. For details, see your router documentation.

2. At the printer control panel, press the **Menu** button.

Note: To navigate through the menu, use the **Up** or **Down** arrow buttons.

3. Navigate to **Admin Settings**, then press **OK**.
4. Navigate to **Network Setup**, then press **OK**.
5. Navigate to **WPS Setup**, then press **OK**.
6. Navigate to **Push Button Control**, then press **OK**.
7. Navigate to **PBC Start**, then press **OK**.
8. After the printer restarts, wait 20 seconds, then print a Configuration Report to get network information including the IP address.

To connect to a WPS wireless network using the PIN method:

Note: The wireless router must be connected and properly configured for the network before you install the printer.

1. At your computer, open the router control panel, then select **Add WPS Client**. For details, see your router documentation.
2. Select **PIN Method**. The router control panel opens to a dialog box ready for the PIN number.

Note: The following steps can vary with different router manufacturers.

3. At the printer control panel, press the **Menu** button.

Note: To navigate through the menu, use the **Up** or **Down** arrow buttons.

4. Navigate to **Admin Settings**, then press **OK**.
5. Navigate to **Network Setup**, then press **OK**.
6. Navigate to **WPS Setup**, then press **OK**.
7. Navigate to **PIN Code**, then press **OK**.
8. Navigate to **Print PIN Code**, then press **OK** or record the PIN Code from the control panel display.
The PIN is printed at the top of the PIN Code Print.
9. Navigate to **Start Configuration**, then press **OK**.
The printer starts advertising using the PIN Code that it printed on the sheet.

Note: The printer continues to advertise for 120 seconds. If it does not find the wireless router within 120 seconds, the connection attempt stops and the printer generates a new PIN.

10. At your computer, enter the PIN Code in the Client PIN Code field of the router control panel, then click **Next**.

The printer communicates with the router to resolve setup and configuration information. When the printer has the correct information, it connects to the router and restarts with the proper setup and configuration information. If it does not connect with the printer within 120 seconds, the connection attempt stops.

11. After the printer restarts, wait 20 seconds, then print a Configuration Report to get network information including the IP address.

Note: If the printer does not connect to the wireless router, it generates a new PIN Code for the next attempt. Do not try to use the old PIN for another attempt.

Collecting Wireless Network Information for Connecting to a Wireless Network Manually

When connecting to a wireless network that does not include a WPS-compliant router, set up and configure the printer manually. Before starting, you must get the setup and configuration information, such as name and passphrase, from the router. After you collect the network information, you can set up the printer from the control panel or from CentreWare Internet Services. For the easiest manual connection, use CentreWare Internet Services.

To record the network information from the wireless router or access point:

1. On your computer, use your Web browser to open the control panel for the wireless router.
2. Click **Wireless Settings**.
3. Record the following information. The network name and passphrase are case sensitive. Ensure that you record them exactly as they appear in the wireless router control panel.
 - **Name (SSID)**
 - **Security Options (Encryption Type)**
 - **Passphrase**

Note: The wireless router must be connected and properly configured for the network before you install the printer. For details, see your router documentation.

Connecting to a Wireless Network Using the Control Panel Wi-Fi Setup Wizard

Before you begin, ensure that you have the wireless network Service Set Identifier (SSID), encryption type, and passphrase. For details, see [Collecting Wireless Network Information for Connecting to a Wireless Network Manually](#) on page 35.

To connect to a wireless network using the Wi-Fi Setup Wizard:

1. At the printer control panel, press the **Menu** button.
Note: To navigate through the menu, use the **Up** or **Down** arrow buttons.
2. Navigate to **Admin Settings**, then press **OK**.
3. Navigate to **Network Setup**, then press **OK**.
4. Navigate to **Wi-Fi Setup**, then press **OK**.
5. Select the desired network from the list, then press **OK**.
Note: If the wireless network does not appear in the list, see [Connecting to a Wireless Network Manually](#) on page 36.
6. Enter the passcode for the selected network, then press **OK**.
7. Turn off the printer, then turn it on again.
8. To view the new IP address and ensure that the connection is successful, print a Configuration Report.

Connecting to a Wireless Network Manually

Before you begin, ensure that you have the wireless network Service Set Identifier (SSID), encryption type, and passphrase. For details, see [Collecting Wireless Network Information for Connecting to a Wireless Network Manually](#) on page 35.

To connect to a wireless network manually:

1. At the printer control panel, press the **Menu** button.
Note: To navigate through the menu, use the **Up** or **Down** arrow buttons.
2. Navigate to **Admin Settings**, then press **OK**.
3. Navigate to **Network Setup**, then press **OK**.
4. Navigate to **Wi-Fi Setup**, then press **OK**.
5. Navigate to **Manual SSID Setup**, then press **OK**.
6. Enter the network SSID (name), then press **OK**.
7. Depending on your network mode, navigate to **Infrastructure type** or **Ad-hoc**, then press **OK**.
Note: Infrastructure provides the greatest selection of security options. AdHoc provides only WEP encryption in most networks.
8. Select an encryption type, then press **OK**.
 - As needed, enter the passphrase for the selected network, then press **OK**.
 - If using WEP encryption, enter the WEP key and press **OK**, select the transmit key, then press **OK**.
9. Restart the printer, then wait two minutes for the printer to connect.
Note: If the optional Productivity Kit (HD) is not installed, ensure that the Ready LED is off before you turn off the printer. The data in the memory is cleared when the printer is turned off.
10. To view the new IP address and ensure that the connection is successful, print a Configuration Report.

Connecting to a Wireless Network Using CentreWare Internet Services

Before you begin, ensure that you have the wireless network Service Set Identifier (SSID), encryption type, and passphrase. For details, see [Collecting Wireless Network Information for Connecting to a Wireless Network Manually](#) on page 35.

Note: To use CentreWare Internet Services to set up the printer on a wireless network, connect the printer to your computer through an Ethernet wired network.

To connect to a wireless network manually using the CentreWare Internet Services:

1. At your computer, open a Web browser, type the IP address of the printer in the address field, then press **Enter** or **Return**.

Note: If you do not know the IP address of your printer, see [Finding the IP Address of Your Printer](#) on page 24.

2. Click **Properties**.
3. In the Properties pane at the left of the window, under Physical Connection, click **Wi-Fi**.
4. In the **SSID** field, enter the SSID.
5. To select the **Network Type**, from the drop-down menu, select **Infrastructure** or **AdHoc**.

Note: Infrastructure provides the greatest selection of security options. AdHoc provides only WEP encryption in most networks.
6. To select **Encryption**, under Security Settings, select the appropriate security option for your router.
7. To remove the dots in the Passphrase field, select them, then press **Backspace**.
8. In the Passphrase field, enter the network passphrase. To remove the dots in the Re-enter Passphrase field, select them, then press **Backspace**.
9. In the Re-enter Passphrase field, re-enter the network passphrase.
10. Click **Save Changes**.
11. Disconnect the Ethernet cable from the printer.
12. Turn off the printer, then turn it on again.

When the printer restarts, it uses the information from CentreWare Internet Services to connect with the wireless router.

Wait about two minutes, then print a Configuration Report to check the connection. If the printer does not successfully connect with the wireless network, check your network information and try again.

Connecting to a Wireless Network Using the Printer Setup Utility

Before you begin, ensure that you have the wireless network Service Set Identifier (SSID), encryption type, and passphrase. For details, see [Collecting Wireless Network Information for Connecting to a Wireless Network Manually](#) on page 35.

Note: To use the Printer Setup Utility for setting up on a wireless network, connect your printer to your computer through the Ethernet wired network. You can also use the Printer Setup Utility to set up the printer connected with a USB cable.

1. Open the Printer Setup Utility.
2. At the Select Configuration screen, select **Wi-Fi Configuration**, then click **Next**.
3. At Select the current connection to printer screen, select the connection type the printer is currently using.
4. Click **Next**.
5. From the Access Point list, select the SSID for the network to which you wish to connect.
6. If the desired network does not appear in the list, select **Input the SSID directly**, then enter the network name in the SSID field.
7. Click **Next**.
8. In the Password field, enter the password for the selected network.
9. Click **Next**.
10. On the IP Address Settings screen, select the IP Mode to use for the connection:
 - **Dual Stack** allows the router to assign IPv4 and IPv6 IP addresses, as needed.
 - **IPv4** directs the router to assign an appropriate IPv4 address only.
 - **IPv6** directs the router to assign an appropriate IPv6 address only.
11. Select the type of method for assigning the IP address:
 - **DHCP** allows your DHCP server to assign an IP address to the printer. This option enables Dynamic DNS Registration.
 - **Auto IP** allows the printer to assign an IP address to itself, in the absence of a DHCP-capable router or access point.
 - **Static IP** enables the system administrator to assign an IP address to the printer.
 - a. If you selected Static IP, enter an IP Address that is in the range of the IP address of the access point or router.
 - b. Enter the Network Mask, and Gateway Address.
 - c. If you need a specific IPv6 address, under IPv6 Settings, select **Use Manual Address**, then enter the IP Address and Gateway Address.

Note: If the network and wireless router are IPv6 compatible, the router assigns an IPv6 address as appropriate. Do not use Manual Address unless you are experienced assigning and using IPv6 addresses.

12. Click **Next**.
13. At Confirm the Settings, select your Panel Language, then click **Apply**.
If any of the settings are incorrect, click the **Back** button to return to the previous screen.
14. To print a record of the IP settings, click **Print Printer Settings**.
15. Click **Finish**.
When the printer restarts, it uses the information from Printer Setup Utility to connect with the wireless router.

16. If the Ethernet cable is connected to the printer, disconnect it.
17. Wait about two minutes, then print a Configuration Report to check the connection.
If the printer does not successfully connect with the wireless network, check your network information and try again.

Setting Up the Printer for Wireless LAN WPA-Enterprise

WPA-Enterprise Encryption is supported only when Infrastructure is selected as the Network Type in the Wi-Fi settings section.

Note: To manage digital certificates, enable the HDD Data Encryption and HTTPS communication.

1. Import the certificate to use with the wireless LAN. For details, see [Importing a Digital Certificate](#) on page 63.

Note: Use Internet Explorer to import the certificate from Windows. Use Safari to import certificates from Macintosh.

2. Configure the digital certificate Purpose for wireless LAN (server or root certificate). For details, see [Configuring the Digital Certificate Purpose](#) on page 63.
3. Verify the **Certificate Authorities** within the Category. For details, see [Verifying the Digital Certificate Purpose](#) on page 64.
4. Configure WPA-Enterprise for PEAPVO-MS-CHAPV2, EAP-TLS, EAP-TTLS PAP, or EAP-TTLS CHAP.
 - a. At your computer, open a Web browser, type the IP address of the printer in the address field, then press **Enter** or **Return**.
 - b. Click **Properties**.
 - c. In the left navigation panel, scroll down to Physical Connection, then select **Wi-Fi**.
 - d. Configure the **SSID**.
 - e. At Network Type, select **Infrastructure**.
 - f. In the Security Settings section, select one of the following:
 - WPA-Enterprise-AES/WPA2-Enterprise-AES
 - WPA-Enterprise-TKIP
 - g. In the WPA-Enterprise section, configure the EAP Identity, Login Name, and Password.
 - h. From the Authentication Method list, select one of the following:
 - PEAPVO-MS-CHAPV2
 - EAP-TLS
 - EAP-TTLS PAP
 - EAP-TTLS CHAP
 - i. Click **Save Changes**.

Configuring Network Settings

This section includes:

- [About TCP/IP and IP Addresses.....](#) 40
- [Assigning the Printer IP Address.....](#) 41

About TCP/IP and IP Addresses

Computers and printers primarily use TCP/IP protocols to communicate over an Ethernet network. Generally, Macintosh computers use either TCP/IP or the Bonjour protocol to communicate with a network printer. For Macintosh OS X systems, TCP/IP is preferred. Unlike TCP/IP, however, Bonjour does not require printers or computers to have IP addresses.

With TCP/IP protocols, each printer and computer must have a unique IP address. Many networks and cable and DSL routers have a Dynamic Host Configuration Protocol (DHCP) server. A DHCP server automatically assigns an IP address to every computer and printer on the network that is configured to use DHCP.

If you use a Cable or DSL router, see the documentation for your router for information on IP addressing.

Assigning the Printer IP Address

This section includes:

- [Assigning the IP Address Automatically](#) 41
- [Assigning the IP Address Manually](#) 41
- [Finding the IP Address of the Printer Using the Control Panel](#)..... 43
- [Changing the IP Address Using CentreWare Internet Services](#)..... 43

By default, the printer is set to acquire an IP address from the network server using DHCP. Network addresses assigned by DHCP are temporary, however. After a specified time, the network could assign a new IP address to the printer. If the print driver is set to an IP address that changes periodically, you can experience connectivity issues. To avoid problems, or if your network administrator requires a static IP address for the printer, you can assign the IP address to the printer.

Note: You can view the IP address of your printer on the control panel or on the Configuration Report. For details, see [Printing the Configuration Report](#) on page 43.

See also:

[Assigning the IP Address Manually](#) on page 41

[Finding the IP Address of Your Printer](#) on page 24

Assigning the IP Address Automatically

1. At the printer control panel, press the **Menu** button.

Note: To navigate through the menu, use the **Up** or **Down** arrow buttons.

2. Navigate to **Admin Settings**, then press **OK**.
3. Navigate to **Network Setup**, then press **OK**.
4. Navigate to **TCP/IP**, then press **OK**.
5. Navigate to **IPv4**, then press **OK**.
6. Navigate to **Get IP Address**, then press **OK**.
7. Navigate to **DHCP/AutoIP**, then press **OK**.
8. Turn off the printer, then turn it on again.
9. To view the new IP address and ensure that the connection is successful, print a Configuration Report.

Assigning the IP Address Manually

You can assign a static IP address to your printer from the printer control panel. Once an IP address is assigned, you can change it using CentreWare Internet Services.

To assign a static IP address to the printer, you need the following information:

- An IP address properly configured for your network
- The Network Mask address
- The default Router/Gateway address

If you are on a network managed by a network administrator, contact your network administrator to obtain the network information.

For a home network using routers or other devices to connect the printer to the network, refer to the device instructions on assigning network addresses. The router or device documentation can give you a range of acceptable address numbers you can use. It is important that the addresses be similar to the IP addresses used by other printers and computers on the network, but not the same. Only the last digit must be different. For example, your printer can have the IPv4 address 192.168.1.2 while your computer has the IP address 192.168.1.3. Another device can have the IP address 192.168.1.4.

The router could assign the static IP address of the printer to another computer that obtains its IP address dynamically. To avoid having the IP address reassigned, give the printer an address at the higher end of the range allowed by the router or device. For example, if your computer has IP address 192.168.1.2, and your device allows IP addresses to 192.168.1.25, select an address between 192.168.1.20 and 192.168.1.25.

In IPv6 network configurations, the IPv6 address is assigned automatically.

To assign a static IP address to the printer:

1. At the printer control panel, press the **Menu** button.

Note: To navigate through the menu, use the **Up** or **Down** arrow buttons.

2. Navigate to **Admin Settings**, then press **OK**.
3. Navigate to **Network Setup**, then press **OK**.
4. Navigate to **TCP/IP**, then press **OK**.
5. Navigate to **IPv4**, then press **OK**.
6. Navigate to **IP Address**, then press **OK**.

When undefined, the address is 000.000.000.000.

7. Set the IP address, then press **OK**.

The printer control panel displays a reminder that the printer must be turned off and then restarted before the changed setting is applied. You can restart the printer after all the settings have been modified.

8. To return to **IP Address**, press the **Left** arrow button twice.
9. Navigate to **Network Mask** and set the address. When finished, press **OK**.
10. To return to **Network Mask**, press the **Left** arrow button twice.
11. Navigate to **Gateway Address**, then set the address. When finished, press **OK**.
12. Turn off the printer, then turn it on again.
13. To verify the new settings, print the Configuration Page.

See also:

Online Support Assistant at: www.xerox.com/office/6600support

Finding the IP Address of the Printer Using the Control Panel

To install the print drivers for a network-connected printer, you need the IP address of your printer. You also need the IP address to access the settings of your printer through CentreWare Internet Services. You can view the IP address of your printer on the Configuration Page or on the control panel.

After the printer has been on for two minutes, print the Configuration Page. The TCP/IP address appears in the Network section of the page. If the IP address listed on the page is 0.0.0.0, the printer needs more time to acquire an IP address from the DHCP server. Wait two minutes, then print the Configuration Page again.

To print the Configuration Page:

1. At the printer control panel, press the **Menu** button.

Note: To navigate through the menu, use the **Up** or **Down** arrow buttons.

2. Navigate to **Information Pages**, then press **OK**.
3. Navigate to **Configuration**, then press **OK**.

The IP address of the printer is listed in the Wired Network section of the page.

To view the IP address of the printer on the control panel:

1. At the printer control panel, press the **Menu** button.

Note: To navigate through the menu, use the **Up** or **Down** arrow buttons.

2. Navigate to **Admin Settings**, then press **OK**.
3. Navigate to **Network Setup**, then press **OK**.
4. Navigate to **TCP/IP**, then press **OK**.
5. Navigate to **IPv4**, then press **OK**.
6. Navigate to **IP Address**, then press **OK**.

The IP address of the printer appears on the IP Address screen.

Changing the IP Address Using CentreWare Internet Services

To change the IP address of the printer using CentreWare Internet Services:

1. At your computer, open a Web browser, type the IP address of the printer in the address field, then press **Enter** or **Return**.

Note: If you do not know the IP address of your printer, see [Finding the IP Address of Your Printer](#) on page 24.

2. Click the **Properties** link.
If the Protocols link is not expanded under Properties, scroll to the Protocols link and expand it.
3. Click **TCP/IP**.
4. In the IPv4 section of the page, make the desired changes. For example, to change the way the printer acquires the IP address, in the Get IP Address field, select a method from the drop-down list.
5. After changing the address information, scroll to the bottom of the page and click **Save Changes**.

Configuring General Setup Using CentreWare Internet Services

This section includes:

- Viewing Printer Information..... 44
- Cloning the Printer Settings..... 44
- Configuring Email Alerts 45
- Configuring System Settings 45
- Configuring Clock Settings 46
- Configuring Tray Settings 46
- Setting Up a Proxy Server..... 46

General Setup in CentreWare Internet Services allows you to configure printer settings onscreen using your Web browser.

Viewing Printer Information

1. At your computer, open a Web browser, type the IP address of the printer in the address field, then press **Enter** or **Return**.
2. In CentreWare Internet Services, click **Properties**.
3. To expand the menu, in the Properties pane, next to the General Setup folder, click the plus symbol (+).
4. Under Version Information, find the printer model number, serial number, and the firmware version number for the operating systems.
5. Under Page Description Language, find the version numbers of each of the page description languages installed in the printer.
6. In the Memory section, find the amount of RAM and size of the hard drive.

Cloning the Printer Settings

Cloning allows you to save your current printer settings to a file to use as a backup and restore file for your printer. You can also use a clone file to copy your printer settings to other printers.

To clone the settings of the printer to another printer:

1. At your computer, open a Web browser, type the IP address of the printer in the address field, then press **Enter** or **Return**.
2. In CentreWare Internet Services, click **Properties**.
3. To expand the menu, in the Properties pane, next to the General Setup folder, click the plus symbol (+).
4. Click **Cloning**.
5. To clone the settings from this printer, select **Printer Settings**.
6. To use the password for the destination printer, under Enter IP Address of Destination Printer, select **Use the printer's password**.
7. In the IP Address field, enter the IP address of the destination printer.
8. If you selected Use the printer's password, in the Password field, enter the password for the destination printer.
9. Click **Clone Selected Settings**.

Configuring Email Alerts

1. From the General Setup menu, click **Mail Alerts**.
2. To have the printer send email alerts, select **Enable Mail Alerts**.
3. To send email alerts to the printer system administrator, next to SysAdmin Mail Address, enter a valid address for the system administrator.
4. To send email alerts to a service representative, next to Service Mail Address, enter a valid address for the service representative.
5. Under Notification Items, select each of the items to generate an email notification for the system administrator or service representative.
6. Click **Save Changes**.
7. Next to Connection Setup, click **Email Settings**.
 - a. Enter the From: Email Address for the printer.
 - b. Next to SMTP Server, enter the IP Address or DNS Name of the SMTP server to which the printer is connected.
If you do not know the IP Address or DNS Name of the SMTP server, click **Auto Detect SMTP Server**.

Note: Before clicking Auto Detect SMTP Server, to save any entries that you have made, click **Save Changes**.

- c. Next to SMTP Port, enter the port number for the SMTP server.
- d. If the SMTP server requires authentication, select the Authentication Type, then enter the SMTP Login Name and SMTP Password in the appropriate fields.
- e. Click **Save Changes**.

Configuring System Settings

Use this menu to configure general settings of the printer. For example, time to Energy Saver mode, alarm settings, and so on.

To configure the system settings:

1. From the General Setup menu, click **System Settings**.
2. Under General, enter values for the Energy Saver modes, then select values for the other selections from each of their lists.
3. Under Timers, select the time for the Panel Timeout from the list, then enter the time in seconds for the Fault Timeout and Job Timeout.
4. Under Output Settings, select a value from the list of each of the items.
5. Click **Save Changes**.

Configuring Clock Settings

Use this menu to set the date and clock settings of the printer.

To configure the clock settings:

1. From the General Setup menu, click **Clock Settings**.
2. Next to Date Format, Time Format, and Time Zone, select the setting for each from the corresponding list.
3. Using the selected format, next to Set Date, enter the date.
4. Using the selected format, next to Set Time, enter the time.
5. Click **Save Changes**.

Configuring Tray Settings

Use this menu to configure the paper trays for the paper size and type, set custom sizes, and turn the display prompts on and off.

To configure the tray settings:

1. From the General Setup menu, click **Tray Settings**.
2. To use the panel or print driver settings to select the Bypass Tray mode, under Tray Settings select **Bypass Tray Mode**.
3. Under Tray Settings, next to each tray selection, select the paper size and paper type from the lists.
4. Under Tray Settings, enter the custom paper sizes for the paper width (X) and the paper length (Y).
5. To have the display prompt you for the paper settings each time the paper tray is loaded, next to the corresponding tray, select **On**.
6. Under Tray Priority, select the tray priority for paper usage.
7. Click **Save Changes**.

Setting Up a Proxy Server

This feature allows you to set up and enable proxy services on the printer. You can enter your authentication login at the printer control panel, and access a set of features and options designed specifically for your business needs. You can scan and capture paper documents, preview thumbnails, and add them to frequently used document storage locations.

To set up a proxy server:

1. From the Protocols menu, click **Proxy Server**.
2. To enable a proxy server, next to Use Proxy Server, select **Enabled**.
3. Next to Server Name, enter the name for the proxy server.
4. Next to Port Number, enter the port number of the proxy server.
5. If the proxy server requires login for authentication, next to Authentication, select **Enabled**.
6. If you enabled authentication, enter the login name and password for the server.
7. Click **Save Changes**.

Configuring General Setup Using the Control Panel

This section includes:

- Getting Information About the Printer 48
- Using the Power On Wizard 48
- Configuring System Settings 49
- Configuring the Output Settings 53
- Configuring Tray Settings 54

Getting Information About the Printer

1. At the printer control panel, press the **Menu** button.
Note: To navigate through the menu, use the **Up** or **Down** arrow buttons.
2. Navigate to **Information Pages**.
3. To scroll through the information pages, use the **Up** or **Down** arrows.
4. To print a specific information page, press **OK**.

Using the Power On Wizard

The Power On Wizard helps to configure several preliminary settings for the printer, including the country, date, time, and time zone.

To use the Power On Wizard:

1. At the printer control panel, press the **Menu** button.
Note: To navigate through the menu, use the **Up** or **Down** arrow buttons.
2. Navigate to **Admin Settings**, then press **OK**.
3. Navigate to **System Settings**, then press **OK**.
4. Navigate to **Power On Wizard**, then press **OK**.
5. Navigate to **Yes**, then press **OK**.
6. To select your language, press **OK**.
7. Navigate to your language, then press **OK**.
8. Navigate to **Set Date & Time**, then press **OK**.
9. To select the Greenwich Mean Time (GMT) offset for your time zone, press the **Up** or **Down** arrow buttons. To accept the time zone, press **OK**.
10. To set the month, press the **Up** or **Down** arrow buttons. To move to the Day field, press the **Right** arrow button.
11. To set the day, press the **Up** or **Down** arrow buttons. To move to the Year field, press the **Right** arrow button.
12. To set the year, press the **Up** or **Down** arrow buttons. When finished, press **OK**.
13. To set the hour, press the **Up** or **Down** arrow buttons. If the time format is set to 12H, ensure that you set the hour correctly for AM or PM. To move to the Minutes field, press the **Right** arrow button.
14. To set the minutes, press the **Up** or **Down** arrow buttons. When finished, press **OK**.
15. To exit the Power On Wizard, use the **Down** arrow to select **Exit Menu**, then press **OK** twice.

Configuring System Settings

Use this menu to configure system settings of the printer. For example, time to Energy Saver mode, alarm settings, and so on.

Accessing the System Settings Menu

1. At the printer control panel, press the **Menu** button.
Note: To navigate through the menu, use the **Up** or **Down** arrow buttons.
2. Navigate to **Admin Settings**, then press **OK**.
3. Navigate to **System Settings**, then press **OK**.

Energy Saver Mode

You can set the time the printer spends idle in ready mode before it automatically transitions to a lower power level. You can also turn off the automatic transition.

Configuring the Energy Saver Settings

1. At the printer control panel, press the **Menu** button.
Note: To navigate through the menu, use the **Up** or **Down** arrow buttons.
2. Navigate to **Admin Settings**, then press **OK**.
3. Navigate to **System Settings**, then press **OK**.
4. Navigate to **Energy Saver**, then press **OK**.
5. To select a setting, press the **Up** or **Down** arrow buttons, then press **OK**.
6. To return to the previous menu, press the **Left** arrow button.

Setting the Date and Time

1. At the printer control panel, press the **Menu** button.
Note: To navigate through the menu, use the **Up** or **Down** arrow buttons.
2. Navigate to **Admin Settings**, then press **OK**.
3. Navigate to **System Settings**, then press **OK**.
4. Navigate to **Clock Settings**, then press **OK**.
5. Navigate to **Set Date & Time**, then press **OK**.
6. To select the Greenwich Mean Time (GMT) offset for your time zone, press the **Up** or **Down** arrow buttons. To accept the time zone, press **OK**.
7. To set the month, press the **Up** or **Down** arrow buttons. To move to the Day field, press the **Right** arrow button.
8. To set the day, press the **Up** or **Down** arrow buttons. To move to the Year field, press the **Right** arrow button.
9. To set the year, press the **Up** or **Down** arrow buttons. When finished, press **OK**.
10. To set the hour, press the **Up** or **Down** arrow buttons. If the time format is set to 12H, ensure that you set the hour correctly for AM or PM. To move to the Minutes field, press the **Right** arrow button.
11. To set the minutes, press the **Up** or **Down** arrow buttons. When finished, press **OK**.
12. Navigate to **Date Format**, then press **OK**.
13. To select a setting, press the **Up** or **Down** arrow buttons, then press **OK**.
14. To return to the previous menu, press the **Left** arrow button.
15. Navigate to **Time Format**, then press **OK**.
16. To select a setting, press the **Up** or **Down** arrow buttons, then press **OK**.

Setting the Measurement Units

1. At the printer control panel, press the **Menu** button.
Note: To navigate through the menu, use the **Up** or **Down** arrow buttons.
2. Navigate to **Admin Settings**, then press **OK**.
3. Navigate to **System Settings**, then press **OK**.
4. Navigate to **mm/inch**, then press **OK**.
5. To select a setting, press the **Up** or **Down** arrow buttons, then press **OK**.

Configuring Audio Tones

1. At the printer control panel, press the **Menu** button.
Note: To navigate through the menu, use the **Up** or **Down** arrow buttons.
2. Navigate to **Admin Settings**, then press **OK**.
3. Navigate to **System Settings**, then press **OK**.
4. Navigate to **Audio Tones**, then press **OK**.
5. Navigate to the tone you want to configure, then press **OK**.
6. To select a setting, press the **Up** or **Down** arrow buttons, then press **OK**.

Setting the Startup Page

1. At the printer control panel, press the **Menu** button.
Note: To navigate through the menu, use the **Up** or **Down** arrow buttons.
2. Navigate to **Admin Settings**, then press **OK**.
3. Navigate to **System Settings**, then press **OK**.
4. Navigate to **Startup Page**, then press **OK**.
5. To print a Startup Page when the printer is turned on, use the **Up** or **Down** arrow buttons to select **On**, then press **OK**.

Configuring the Low Toner Alert Message

1. At the printer control panel, press the **Menu** button.
Note: To navigate through the menu, use the **Up** or **Down** arrow buttons.
2. Navigate to **Admin Settings**, then press **OK**.
3. Navigate to **System Settings**, then press **OK**.
4. Navigate to **Low Toner Msg**, then press **OK**.
5. To select a setting, press the **Up** or **Down** arrow buttons, then press **OK**.

Setting the Auto Log Print

1. At the printer control panel, press the **Menu** button.
Note: To navigate through the menu, use the **Up** or **Down** arrow buttons.
2. Navigate to **Admin Settings**, then press **OK**.
3. Navigate to **System Settings**, then press **OK**.
4. Navigate to **Auto Log Print**, then press **OK**.
5. To print a job history log automatically after every 20 print jobs, use the **Up** or **Down** arrow buttons to select **On**, then press **OK**.
6. Turn off the printer, then turn it on again.

Configuring the Panel Timeout

The panel timeout allows you to set the delay before the control panel times out.

1. At the printer control panel, press the **Menu** button.
Note: To navigate through the menu, use the **Up** or **Down** arrow buttons.
2. Navigate to **Admin Settings**, then press **OK**.
3. Navigate to **System Settings**, then press **OK**.
4. Navigate to **Panel Timeout**, then press **OK**.
5. To select a setting, press the **Up** or **Down** arrow buttons, then press **OK**.

Configuring the Fault Timeout

The fault timeout allows you to set how long the printer waits before canceling a print job that stops abnormally.

1. At the printer control panel, press the **Menu** button.
Note: To navigate through the menu, use the **Up** or **Down** arrow buttons.
2. Navigate to **Admin Settings**, then press **OK**.
3. Navigate to **System Settings**, then press **OK**.
4. Navigate to **Fault Timeout**, then press **OK**.
5. To select a setting, press the **Up** or **Down** arrow buttons, then press **OK**.

Configuring the Job Timeout

Job Timeout allows you to set how long the printer waits for data to arrive from a computer.

1. At the printer control panel, press the **Menu** button.
Note: To navigate through the menu, use the **Up** or **Down** arrow buttons.
2. Navigate to **Admin Settings**, then press **OK**.
3. Navigate to **System Settings**, then press **OK**.
4. Navigate to **Job Timeout**, then press **OK**.
5. To select a setting, press the **Up** or **Down** arrow buttons, then press **OK**.

Configuring the Output Settings

Use this menu to configure settings concerning the output of the printer.

To configure settings for the printer output:

1. At the printer control panel, press the **Menu** button.

Note: To navigate through the menu, use the **Up** or **Down** arrow buttons.

2. Navigate to **Admin Settings**, then press **OK**.
3. Navigate to **System Settings**, then press **OK**.
4. Navigate to **Default Size**, then press **OK**.
5. To select a setting, press the **Up** or **Down** arrow buttons, then press **OK**. To return to the previous menu, press the **Left** arrow button.

Note: The default for Default Paper Size varies, depending on the country-specific default setting.
6. To print the user ID on the output page, navigate to **Print ID**, then press **OK**.
7. To select a setting, press the **Up** or **Down** arrow buttons, then press **OK**. To return to the previous menu, press the **Left** arrow button.
8. To have the printer output PDL data as text, navigate to **Print Text**, then press **OK**. The printer does not support printing in PDL.
9. To select a setting, press the **Up** or **Down** arrow buttons, then press **OK**. To return to the previous menu, press the **Left** arrow button.
10. To specify if a banner page is printed, navigate to **Banner Page**, then press **OK**.
11. Navigate to **Sheet Location**, then press **OK**.
12. To select an option, use the **Up** or **Down** arrow buttons:
 - **Off** directs the printer not to print a banner page.
 - **Front** directs the printer to insert a banner page before the first page of each copy.
 - **Back** directs the printer to insert a banner page after the last page of every copy.
 - **Front and Back** directs the printer to insert a banner page before the first page and after the last page of every copy.
13. Press **OK**. To return to the previous menu, press the **Left** arrow button.
14. To select the tray from which the banner page is printed, navigate to **Specify Tray**, then press **OK**.
15. To select a setting, press the **Up** or **Down** arrow buttons, then press **OK**. To return to the System Settings menu, press the **Left** arrow button twice.
16. To select what action the printer takes when a paper size mismatch occurs, navigate to **Size Mismatch**, then press **OK**.
17. To select an option, use the **Up** or **Down** arrow buttons:
 - **Off** directs the printer to display a message prompting you to load paper.
 - **Nearest Size** directs the printer to replace the paper with the nearest size paper before printing in 100 % magnification ratio.
 - **Larger Size** directs the printer to replace the paper with a longer size paper before printing in 100 % magnification ratio.
 - **Use Bypass Tray** directs the printer to use the paper size in the Bypass Tray.

18. Press **OK**. To return to the previous menu, press the **Left** arrow button.
19. To have letterhead print on both sides of the page, navigate to **LetterH Dup Mode**, then press **OK**.
20. To select a setting, press the **Up** or **Down** arrow buttons, then press **OK**. To return to the previous menu, press the **Left** arrow button.
21. To have information pages print on both sides of the page, navigate to **2 Sided Report**.
22. To select a setting, press the **Up** or **Down** arrow buttons, then press **OK**. To return to the previous menu, press the **Left** arrow button.
23. If you have purchased additional memory, you can enable and configure the RAM Disk feature. This feature allocates memory to the RAM Disk file system for collating, Secure Print jobs, and saved jobs.
 - a. Navigate to **RAM Disk**, then press **OK**.
 - b. To enable the RAM Disk feature, use the **Up** or **Down** arrow buttons to select **Enable**, then press **OK**.
 - c. To specify the amount of memory to allocate to the RAM Disk file system, use the **Up** or **Down** arrow buttons, then press **OK**.
 - d. Turn off the printer, then turn it on again.

Note: Not all Xerox® printers support every option. Only available options appear on your printer.

Configuring Tray Settings

Use this menu to configure the paper trays for the paper size and type, set custom sizes, and turn the display prompts on and off.

To configure the tray settings:

1. At the printer control panel, press the **Menu** button.
Note: To navigate through the menu, use the **Up** or **Down** arrow buttons.
2. Navigate to **Tray Settings**, then press **OK**.
3. To configure the Bypass Tray settings, navigate to **Bypass Tray**, then press **OK**.
 - a. To select a paper or envelope size for this tray, navigate to **Paper Size**. Press **OK**.
 - b. To select a setting, press the **Up** or **Down** arrow buttons, then press **OK**.
 - c. To return to the previous menu, press the **Left** arrow button.
 - d. To dedicate a paper type for this tray, navigate to **Paper Type**, then press **OK**. To select a setting, press the **Up** or **Down** arrow buttons, then press **OK**. To return to the previous menu, press the **Left** arrow button.
 - e. To specify if the panel or the driver determines the Bypass mode, navigate to **Tray Mode** then press **OK**. To select a setting, press the **Up** or **Down** arrow buttons, then press **OK**. To return to the previous menu, press the **Left** arrow button.
4. To configure a paper tray, navigate to the desired tray, then press **OK**.
 - a. To select a paper or envelope size for this tray, navigate to **Paper Size**. To select a setting, press the **Up** or **Down** arrow buttons, then press **OK**. To return to the previous menu, press the **Left** arrow button.
 - b. To dedicate a paper type for this tray, navigate to **Paper Type**, then press **OK**.
 - c. To have the printer prompt you to set the paper type and size when paper is loaded in this tray, navigate to **Display Popups**. Press **OK**.
 - d. To select a setting, press the **Up** or **Down** arrow buttons, then press **OK**. To return to the Tray Settings menu, press the **Left** arrow button twice.
5. To determine the order in which the printer selects the tray for a print job when you have not specified one, navigate to **Tray Priority**. Press **OK**.
 - a. To specify the first priority, use the **Up** or **Down** arrow buttons, then press **OK**. The second priority setting displays.
 - b. To accept the second priority, press **OK**.

Configuring Security Settings Using CentreWare Internet Services

This section includes:

- [Opening the Security Menu](#) 56
- [Configuring Administrative Security Settings](#) 56
- [Configuring Secure Settings](#) 57
- [Configuring the Host Access List](#) 57
- [Configuring IPsec Settings](#) 58
- [Configuring 802.1x Settings](#) 59
- [Configuring SSL Settings](#) 60
- [Managing Certificates](#) 61

Use security settings to configure administrative settings, authentication, user access and privileges, and service access.

Note: For details, see the Help in CentreWare Internet Services.

Opening the Security Menu

1. At your computer, open a Web browser, type the IP address of the printer in the address field, then press **Enter** or **Return**.
2. In CentreWare Internet Services, click **Properties**.
3. In the Properties pane, to expand the menu, click the plus (+) symbol next to the Security folder.

Configuring Administrative Security Settings

1. At your computer, open a Web browser, type the IP address of the printer in the address field, then press **Enter** or **Return**.
2. In CentreWare Internet Services, click **Properties**.
3. In the Properties pane, to expand the menu, click the plus (+) symbol next to the Security folder.
4. Click **Administrator Security Settings**.
5. To turn on administrator privileges, select **Enable Administrator Mode**.
6. Enter the user name and password, then re-enter the password.
7. Next to Access denial by the authentication failure of the Administrator, enter the number of login attempts allowed before locking out the user.
8. Click **Save Changes**.

Configuring Secure Settings

1. From the Security menu, click **Secure Settings**.
2. To limit access to the control panel menus:
 - a. Next to **Panel Lock Set**, select **Enable**.
 - b. Enter a four-digit passcode, then re-enter the passcode.
3. To allow download of firmware updates, next to Software Downloads, select **Enable**.
4. To encrypt the data on the hard drive:
 - a. Click the **HDD Data Encryption** link.
 - b. Next to Encryption, select **On**.
 - c. Enter an Encryption Key for the printer, then re-enter the key.

Note: All stored data is deleted after you change the Data Encryption Settings.

 - d. Click **Save Changes**.
5. To limit the number of attempts allowed when logging in as an administrator, next to Login Attempts, select an option from the list.
6. Click **Save Changes**.

Configuring the Host Access List

The host access list controls access to the printer over LPR or Port 9100. You can enter up to five IP address/mask combinations, and then select to reject, accept, or turn off the filtering for each IP address. You can enter a specific IP address and address mask, or you can enter a range of IP addresses and address masks. If no IP address and address mask is entered in the host access list, there are no limitations on printer access.

You can allow printing from one specific IP address only. The access list would look like the following table:

| Access List | IP Address | Address Mask | Operation |
|-------------|----------------|-----------------|-----------|
| 1 | 192.168.200.10 | 255.255.255.255 | Accept |

You can reject one specific IP address, but allow printing from any other address. The access list would look like the following table:

| Access List | IP Address | Address Mask | Operation |
|-------------|----------------|-----------------|-----------|
| 1 | 192.168.200.10 | 255.255.255.255 | Reject |
| 2 | 0.0.0.0 | 0.0.0.0 | Accept |

The first row of the access list is the highest priority. If configuring a list with multiple rows, enter the smallest range first. Make the first row the most specific, and the last row the most general.

For example, you can set up the host access list to do the following:

- Accept printing from a specific network.
- Reject printing from a particular network mask within that network.

- Accept printing from one particular IP address within that network mask.

In this example, the access list would look like the following table:

| Access List | IP Address | Address Mask | Operation |
|-------------|----------------|-----------------|-----------|
| 1 | 192.168.200.10 | 255.255.255.255 | Accept |
| 2 | 192.168.200.0 | 255.255.255.0 | Reject |
| 3 | 192.168.0.0 | 255.255.0.0 | Accept |

To configure the Host Access List:

1. At your computer, open a Web browser, type the IP address of the printer in the address field, then press **Enter** or **Return**.
2. In CentreWare Internet Services, click **Properties**.
3. In the Properties pane, to expand the menu, click the plus (+) symbol next to the Security folder.
4. Click **Host Access List**.
5. In the IP Address field, enter the IP address of the host as X.X. X.X, where X is a number from 0 through 255. For example, 192.168.200.10.
6. In the Address Mask field, enter the network mask for the host as X.X. X.X, where X is a number from 0 through 255. For example, 255.255.255.255.
7. Under Operation, for the action the host takes with the IP address:
 - **Off** indicates that this row of the access list is inactive. This setting lets you enter a specific IP address or range of addresses before you plan to enforce the Accept or Reject operation.
 - **Accept** allows the specified IP address or range of addresses access to the printer.
 - **Reject** denies the specified IP address or range of addresses access to the printer.
8. Click **Save Changes**.

Configuring IPsec Settings

Use this page to enable IPsec on the printer. IPsec is a protocol suite used for securing Internet Protocol (IP) communications by authenticating or encrypting each IP packet in a data stream. IPsec also includes protocols for cryptographic key establishment. IPsec can be implemented as part of the overall security policy of your company.

To configure IPsec Help:

1. At your computer, open a Web browser, type the IP address of the printer in the address field, then press **Enter** or **Return**.
2. In CentreWare Internet Services, click **Properties**.
3. In the Properties pane, to expand the menu, click the plus (+) symbol next to the Security folder.
4. Click **IPsec**.
5. To use the IPsec protocol, next to Protocol, select **Enabled**.
6. Next to Shared Key, enter the shared key value, up to 255 characters long.
7. Next to Verify Shared Key, re-enter the shared key value.
8. To specify the lifetime of the secure association, next to IKE SA Lifetime, enter a number. The range is 5–28800 minutes.
9. To set the maximum time that a secure association is linked without activity, next to IPsec SA Lifetime, enter a number. The range is 5–2880 minutes.
10. To set the level of cryptographic strength, next to DH Group, select **G1** for low, and **G2** for strong.
11. To turn on Perfect Forward Security, next to PFS, select **Enabled**.
12. In the Specify Destination IPv4 Address, enter the IP address and port number as X.X. X.X/P. X must be a number from 0 through 255.
13. In the Specify Destination IPv6 Address, enter the IP address and port exactly as it appears for the destination server.
14. To specify how the printer treats data from non-IPsec devices, next to Communicate with Non-IPsec device, select an option:
 - **Bypass** directs the printer to bypass the IPsec security protocol and use the data.
 - **Discard** directs the printer to discard the data without using it.
15. Click **Save Changes**.

Configuring 802.1x Settings

1. At your computer, open a Web browser, type the IP address of the printer in the address field, then press **Enter** or **Return**.
2. In CentreWare Internet Services, click **Properties**.
3. In the Properties pane, to expand the menu, click the plus (+) symbol next to the Security folder.
4. Click **802.1X**.
5. If the printer is connected to a RADIUS server, next to Enable IEEE 802.1X, select **Enabled**.
6. Next to Authentication Method, select the authentication method.
7. Next to Login Name, enter the login name for the printer.
8. Type a Password for the user, then retype it to verify.
9. To have the printer validate certificates, next to Certificate Validation, select **Enabled**.
10. Click **Save Changes**.

Configuring SSL Settings

1. At your computer, open a Web browser, type the IP address of the printer in the address field, then press **Enter** or **Return**.
2. In CentreWare Internet Services, click **Properties**.
3. In the Properties pane, to expand the menu, click the plus (+) symbol next to the Security folder.
4. Click **SSL**.
5. Next to Enable SSL, select **Enabled**.
6. Next to Port Number, enter the port number to use for HTTPS.
7. To have the printer create a digitally signed certificate, click **Create New Certificate**.
8. To select the DKIM signature type, next to Public Key Method, select **RSA/SHA-256** or **RSA/SHA-1**.
9. To select the size of the key, next to Public Key Size, select the number of bits from the list.
10. To set the length of time that the certificate is effective, next to Validity, enter the number of days for the life of the certificate.
11. Change any of the parameters that you want for the new digital certificate, then click **Generate Signed Certificate**.
12. To restart the printer and have the changes take effect, click **Restart**.

Notes:

- If HDD Data Encryption is enabled in the Secure Settings, the SSL menu has several other options. For details, see the CentreWare Internet Services Help.
- After you generate a signed certificate, a new menu item, Certificate Management, appears in the Security menu after SSL.

Managing Certificates

This section includes:

- [About Security Certificates](#) 61
- [Overview of Setting Up Digital Certificates](#) 62
- [Before You Begin](#) 62
- [Enabling HTTPS Communication](#) 62
- [Importing a Digital Certificate](#) 63
- [Configuring the Digital Certificate Purpose](#) 63
- [Verifying the Digital Certificate Purpose](#) 64
- [Deleting a Digital Certificate](#) 65
- [Exporting a Digital Certificate](#) 65

About Security Certificates

A digital certificate is a file that contains data used to verify the identity of the client or server in a network transaction. A certificate also contains a public key used to create and verify digital signatures. One device proves its identity to another by presenting a certificate trusted by the other device. Or, the device can present a certificate signed by a trusted third party and a digital signature proving its ownership of the certificate.

A digital certificate includes the following data:

- Information about the owner of the certificate
- The certificate serial number and expiration date
- The name and digital signature of the Certificate Authority (CA) that issued the certificate
- A public key
- A purpose defining how the certificate and public key can be used

There are three types of certificates:

- **Device Certificate:** A certificate for which the printer has a private key, and the purpose specified in the certificate allows it to be used to prove identity.
- **CA Certificate:** A certificate with authority to sign other certificates.
- **Trusted Certificate:** A self-signed certificate from another device that you want to trust.

To ensure that the printer can communicate with other devices over a secure trusted connection, both devices must have certain certificates installed.

For protocols such as HTTPS, the printer is the server, and must prove its identity to the client Web browser. For protocols such as 802.1X, the printer is the client, and must prove its identity to the authentication server, typically a RADIUS server.

- Install a device certificate on the printer.

Note: To enable HTTPS, create a self-signed Certificate from the SSL page in CentreWare Internet Services.

- Install a copy of the CA certificate that was used to sign the device certificate of the printer on the other device.

Protocols such as LDAP and IPsec require both devices to prove their identity to each other.

Overview of Setting Up Digital Certificates

This is an overview of the steps to take to set up and use digital certificates:

1. Preparing the printer to manage digital certificates.
 - a. Changing the encryption settings of the hard drive.
 - b. Enabling HTTPS communications.
2. Importing and setting up digital certificates.
 - a. Importing the digital certificates.
 - b. Configuring the digital certificate purpose.
 - c. Verifying the digital certificate purpose.
3. Configuring desired security features to use the imported digital certificates.

Use the following topics to set up the digital certificates for your printer.

Before You Begin

Before you can manage certificates, do the following:

- Install the optional Productivity Kit (HD).
- Enable HDD Encryption. For details, see [Configuring the Data Encryption Settings](#) on page 67.
- Configure SSL. For details, see [Configuring SSL settings](#) on page 60.

Enabling HTTPS Communication

1. At your computer, open a Web browser, type the IP address of the printer in the address field, then press **Enter** or **Return**.
2. Click **Properties**.
3. In the left navigation panel, scroll to **Security**, then select **SSL**.
4. Click **Create New Certificate**.
5. Under **Public Key Method**, select an option.
6. Under **Public Key Size**, select an option.
7. Confirm the issuer of the SSL self-signed certificate.
8. In **Validity**, specify the validity period of the certificate.
9. Click **Generate Signed Certificate**.

The printer creates a digital certificate and places it in the certificate list.

10. After the settings are changed, to restart the printer, click **Restart Printer**.
11. Enter the IP address of the printer in the address bar, then press the **Enter** key.
12. To display the SSL page, repeat steps 2, 3, and 4.
13. Ensure that **Enabled SSL** is selected.

Importing a Digital Certificate

Before importing a certificate, back up the certificate file.

Note: Use Internet Explorer to import the certificate from Windows. Use Safari to import certificates from Macintosh.

To import a digital certificate:

1. At your computer, open a Web browser, type the IP address of the printer in the address field, then press **Enter** or **Return**.
2. Click **Properties**.
3. In the left navigation panel, scroll to **Security**, then select **SSL**.
4. Click **Upload Signed Certificate**.

Note: Upload Signed Certificate appears only when the optional hard drive is installed and the HDD Data Encryption is enabled.

5. Enter a password corresponding to the certificate file to import.

Note: A password is only required for PKCS#12 certificates. Leave the password field blank for PKCS#7 and other certificates.

6. To confirm, re-enter the password.
7. Click the **Browse** button, then browse to the certificate file and select it.
8. To import the file, click **Import**.

Configuring the Digital Certificate Purpose

1. At your computer, open a Web browser, type the IP address of the printer in the address field, then press **Enter** or **Return**.
2. Click **Properties**.
3. In the left navigation panel, scroll to **Security**, then select **Certificate Management**.

Note: Certificate Management appears in the Security menu only when the optional hard drive is installed and HDD Data Encryption is enabled.

4. Next to **Category**, select an option:
 - When setting a certificate for an SSL server, SSL client, IPsec, or Wireless LAN client, select **Local Device**.
 - When setting a certificate for a Wireless LAN server, select **Trusted Certificate Authority**.

5. Next to **Certificate Purpose**, select an option.
6. Next to **Certificate Order**, select the order in which the certificates appear.
7. To display the Certificate List page, click **Display the List**.
Note: If the list includes more than 20 certificates, click **Next** to display the next page.
8. Select the certificate to associate with the Certificate Purpose you selected in step 5.
9. To display the Certificate Details page, click **Certificate Details**.
10. After confirming the certificate details, at the top of the details window, click the **Use this certificate** button.

Verifying the Digital Certificate Purpose

1. At your computer, open a Web browser, type the IP address of the printer in the address field, then press **Enter** or **Return**.
2. Click **Properties**.
3. In the left navigation panel, scroll to **Security**, then select **Certificate Management**.
4. Verify the information selected next to **Category**, **Certificate Purpose**, and **Certificate Order**. If a selection is incorrect, select another option.
5. To display the Certificate List page, click **Display the List**.
Note: If the list includes more than 20 certificates, click **Next** to display the next page.
6. Ensure that the certificate that appears with an asterisk is valid and that it is the certificate associated with the Certificate Purpose.

Deleting a Digital Certificate

1. At your computer, open a Web browser, type the IP address of the printer in the address field, then press **Enter** or **Return**.
2. Click **Properties**.
3. In the left navigation panel, scroll to Security, then select **Certificate Management**.
4. For the certificate you want to delete, select the **Category**.
5. For the certificate you want to delete, select the **Certificate Purpose**.
6. To display the Certificate List page, click **Display the List**.

Note: If the list includes more than 20 certificates, click **Next** to display the next page.

7. Select the certificate that you want to delete.
8. Click **Certificate Details**.
9. To delete the certificate, in the upper right corner, click **Delete**.
10. Click **Delete** to confirm.

Note: When you delete a certificate, it disables the feature associated with the deleted feature. To delete a certificate that is in use, disable the feature in advance or switch the association to another certificate.

- For an SSL server, select another certificate, such as a Local Device.
- For an SSL Client, disable the LDAP-SSL/TLS and IEEE802.1x features.
- For IPsec, change the IKE setting to Preshared Key or disable the feature.
- For Wireless LAN, change the wireless security setting to something other than WPA-Enterprise before deleting the certificate.

Exporting a Digital Certificate

1. At your computer, open a Web browser, type the IP address of the printer in the address field, then press **Enter** or **Return**.
2. Click **Properties**.
3. In the left navigation panel, scroll to **Security**, then select **Certificate Management**.
4. Select the **Category** of the certificate you want to export.
5. Select the **Certificate Purpose** of the certificate you want to export.
6. To display the Certificate List page, click **Display the List**.

Note: If the list includes more than 20 certificates, to display the next page, click **Next**.

7. Select the certificate to export.
8. Click **Certificate Details**.
9. To export the certificate, at the bottom of the details list, click **Export this certificate**.

Note: Imported PKCS#12 format certificates can be exported only as a PKCS#7 certificates, because PKCS#12 passwords cannot be exported.

10. In the File Download dialog box, click **Save**.
11. Select the location to save the file, then click **Save**.

Configuring Secure Settings Using the Control Panel

This section includes:

- [Setting the Date and Time](#) 66
- [Setting the Panel Lock](#)..... 67
- [Configuring the Data Encryption Settings](#) 67
- [Logging In at the Control Panel](#) 68
- [Limiting Login Attempts](#) 68
- [Configuring the USB Setup](#)..... 68

Use this menu for controlling access to printer features.

Setting the Date and Time

1. At the printer control panel, press the **Menu** button.
Note: To navigate through the menu, use the **Up** or **Down** arrow buttons.
2. Navigate to **Admin Settings**, then press **OK**.
3. Navigate to **System Settings**, then press **OK**.
4. Navigate to **Clock Settings**, then press **OK**.
5. Navigate to **Set Date & Time**, then press **OK**.
6. To select the Greenwich Mean Time (GMT) offset for your time zone, press the **Up** or **Down** arrow buttons. To accept the time zone, press **OK**.
7. To set the month, press the **Up** or **Down** arrow buttons. To move to the Day field, press the **Right** arrow button.
8. To set the day, press the **Up** or **Down** arrow buttons. To move to the Year field, press the **Right** arrow button.
9. To set the year, press the **Up** or **Down** arrow buttons. When finished, press **OK**.
10. To set the hour, press the **Up** or **Down** arrow buttons. If the time format is set to 12H, ensure that you set the hour correctly for AM or PM. To move to the Minutes field, press the **Right** arrow button.
11. To set the minutes, press the **Up** or **Down** arrow buttons. When finished, press **OK**.
12. Navigate to **Date Format**, then press **OK**.
13. To select a setting, press the **Up** or **Down** arrow buttons, then press **OK**.
14. To return to the previous menu, press the **Left** arrow button.
15. Navigate to **Time Format**, then press **OK**.
16. To select a setting, press the **Up** or **Down** arrow buttons, then press **OK**.

Setting the Panel Lock

Use this setting to limit access to the Admin Menu. When enabled, access to the Admin Menu requires a password.

1. At the printer control panel, press the **Menu** button.
Note: To navigate through the menu, use the **Up** or **Down** arrow buttons.
2. Navigate to **Admin Settings**, then press **OK**.
3. Navigate to **Secure Settings**, then press **OK**.
4. Navigate to **Panel Lock**, then press **OK**.
5. Navigate to **Panel Lock Set**, then press **OK**.
6. To select a setting, press the **Up** or **Down** arrow buttons, then press **OK**.
7. At the prompt, enter a four-digit passcode, then press **OK**.
8. At the prompt, re-enter the passcode.

Configuring the Data Encryption Settings

To configure the Data Encryption settings:

1. At the printer control panel, press the **Menu** button.
Note: To navigate through the menu, use the **Up** or **Down** arrow buttons.
2. Navigate to **Admin Settings**, then press **OK**.
3. Navigate to **Secure Settings**, then press **OK**.
4. To encrypt the data on the hard drive, navigate to **Data Encryption**, then press **OK** twice. To select a setting, press the **Up** or **Down** arrow buttons, then press **OK**.
5. When prompted, enter an encryption key, then press **OK**.
6. At the **Initialize HDD, Are You Sure?** prompt, press **OK**.

Note: All stored data is deleted after you change the Data Encryption Settings.

To change the Encryption Key:

1. At the printer control panel, press the **Menu** button.
Note: To navigate through the menu, use the **Up** or **Down** arrow buttons.
2. Navigate to **Admin Settings**, then press **OK**.
3. Navigate to **Secure Settings**, then press **OK**.
4. Navigate to **Data Encryption**, then press **OK**.
5. To change the encryption key for HDD encryption, navigate to **Encryption Key**, then press **OK**.
6. Enter the encryption key.
7. At the **Initialize HDD, Are You Sure?** prompt, press **OK**.

Note: All stored data is deleted after you change the Data Encryption Settings.

Logging In at the Control Panel

1. To enter numbers on the control panel, select an option:
 - To select a number, press the **Up** or **Down** arrow buttons.
 - To scroll quickly, hold down the **Up** or **Down** arrow buttons.
 - To move to the next number field, press the **Right** arrow button.
 - To move to the previous number field, press the **Left** arrow button.
2. When finished, press **OK**.

Limiting Login Attempts

1. At the printer control panel, press the **Menu** button.
Note: To navigate through the menu, use the **Up** or **Down** arrow buttons.
2. Navigate to **Admin Settings**, then press **OK**.
3. Navigate to **Secure Settings**, then press **OK**.
4. Navigate to **Login Error**, then press **OK**.
5. To select **On**, use the **Up** or **Down** arrow buttons, then press **OK**.
6. To limit the number of attempts allowed when logging in as an administrator, use the **Up** or **Down** arrow buttons, then press **OK**.

Configuring the USB Setup

1. At the printer control panel, press the **Menu** button.
Note: To navigate through the menu, use the **Up** or **Down** arrow buttons.
2. Navigate to **Admin Settings**, then press **OK**.
3. Navigate to **USB Settings**, then press **OK**.
4. To select a setting, press the **Up** or **Down** arrow buttons, then press **OK**. To return to the previous menu, press the **Left** arrow button.
5. To select the Adobe protocol, navigate to **Adobe Protocol**. To select a setting, press the **Up** or **Down** arrow buttons, then press **OK**.
6. Turn off the printer, then turn it on again.

Configuring Smart eSolutions

This section includes:

- [Using Smart eSolutions](#) 69
- [Overview for Setting Up Smart eSolutions](#) 69
- [Enabling the Proxy Server](#)..... 70
- [Validate DNS Settings and Enable SSL](#) 70
- [Registering with the Xerox Communication Server](#) 71
- [Setting Up Email Notifications for Billing Meter Read Alerts](#) 71
- [Setting Up Email Notifications for Supplies Data Send Alerts](#) 72

Using Smart eSolutions

Smart eSolutions is a suite of features that simplifies printer ownership and administration. It provides free services to enable administration of metered billing and supplies replenishment plans for printers on a network. For details, see www.xerox.com/smarteresolutions.

MeterAssistant automatically counts all metered impressions printed on network printers, then submits them to Xerox. This process eliminates the need to collect and report meter read information manually.

SuppliesAssistant monitors the remaining life of the toner or ink, and other printer consumables. When Smart eSolutions is configured to communicate with Xerox, SuppliesAssistant also monitors the usage of consumables. The data reported to Xerox is used to replenish supplies.

Overview for Setting Up Smart eSolutions

This is an overview of the steps required to set up the Smart eSolutions feature:

1. Enabling the Proxy Server.
2. Validating the DNS settings and enabling SSL.
3. Registering the printer with the Xerox Communication Server.
4. Setting up email notifications for Meter Assistant.
5. Setting up email notifications for Supplies Assistant.

Use the following topics to set up Smart eSolutions.

Enabling the Proxy Server

1. At your computer, open a Web browser, type the IP address of the printer in the address field, then press **Enter** or **Return**.
2. Click **Properties**.
3. In the left navigation panel, scroll to **Smart eSolutions**, then select **Registration**.
4. In the Registration Window, under Setup, click **Enable Proxy Server**.
5. If your network does not use a proxy server, next to **Use Proxy Server**, clear the **Enabled** box, then click **Save Changes**.
Proceed to **Register with Xerox Communication Server**.
6. If your network uses a proxy server, next to **Use Proxy Server**, select **Enabled**.
7. Next to **Server Name**, enter the name for the proxy server.
8. Next to **Port Number**, enter the port number of the proxy server.
9. If your proxy server requires authentication, next to **Authentication**, select **Enabled**.
10. If authentication is enabled, next to **Login Name**, enter the login name for the proxy server.
11. Next to **Password**, enter the password for the proxy server.
12. Next to **Retype Password**, re-enter the password.
13. Click **Save Changes**.

Validate DNS Settings and Enable SSL

1. At your computer, open a Web browser, type the IP address of the printer in the address field, then press **Enter** or **Return**.
2. Click **Properties**.
3. In the left navigation panel, scroll to **TCP/IP**.
4. Scroll to **DNS** and ensure that the **Obtain DNS Server Address Automatically** button is enabled.
Note: If the printer does not find the DNS server automatically, manually configure the settings for the DNS server.
5. If the field is not enabled, in the **DNS Server Address Field**, enter the IP address of the DNS.
6. Click **Save Changes**.
7. In the left navigation panel, scroll to **SSL**.
8. Next to **LDAP-SSL/TLS Communication**, select **Enabled**.
9. Click **Save Changes**.
10. At the prompt to restart the system, click **Restart**.
11. After the printer restarts, wait about 20 seconds, then refresh the CentreWare Internet Services page in your browser.
If the configuration was successful, the CentreWare Internet Services URL should start with **https**.
12. When prompted by the browser, accept the certificate.

Registering with the Xerox Communication Server

1. At your computer, open a Web browser, type the IP address of the printer in the address field, then press **Enter** or **Return**.
2. Click **Properties**.
3. In the left navigation panel, scroll to **Smart eSolutions**, then select **Registration**.
4. In the Registration Window, under Setup, click **Register with Xerox Communication Server**.
5. In the Xerox Communication Server window, under Communication setup, next to Server Communication, select **Enabled**.
6. Next to **Transmission Time**, enter the time for the printer to communicate with the Xerox Communication Server.

Note: Enter the GMT time for the transmission time. Do not use the local time for the transmission.

7. Click **Test Communication Now**.
8. If the message reads "Download Problem detected during the download process. Please try again", check the settings and retry. If the problem persists, go to www.xerox.com/office/6600support for online support information.
9. If the message reads "Communication Successful, Device diagnostic information successfully sent to Xerox," click **Back**, then click **Save Changes**.
Setup is complete. No other action is required.

Setting Up Email Notifications for Billing Meter Read Alerts

Use Billing Meters to view impression count details for the printer, and to print Billing Meter and Supplies Usage reports. The current counts for color, black and white, and combined total impressions appear on the Billing Meters screen. The Billing Meters data can be sent to as many as five email addresses for billing administrators and key operators. Use this page to manage the email addresses and determine when the printer sends email notifications.

Note: Before using email notifications, configure the SMTP server for mail alerts. See [Configuring Mail Alerts](#) on page 45.

To set up email notifications for Billing Meter reads:

1. At your computer, open a Web browser, type the IP address of the printer in the address field, then press **Enter** or **Return**.
2. Click **Properties**.
3. In the left navigation panel, scroll to **Smart eSolutions**, then select **Registration**.
4. In the Registration Window, under Setup, click **Setup Email Notification (Billing Meter Read Alerts)**.
5. Under Recipient Group Addresses, next to **Billing Administrator Email Addresses**, enter the email addresses of the administrators to which the printer sends email notifications.
6. Next to Send Alert, select when the printer sends email alerts.
7. Click **Save Changes**.

Setting Up Email Notifications for Supplies Data Send Alerts

SuppliesAssistant monitors the remaining life of the toner or ink, and other printer consumables. When Smart eSolutions is configured to communicate with Xerox, SuppliesAssistant also monitors the usage of consumables. The data reported to Xerox is used to replenish supplies. The printer can also send email alerts up to five email addresses for supplies administrators and key operators. Use this page to manage the email addresses and determine when the printer sends email notifications.

Note: Before using email notifications, configure the SMTP server for mail alerts. See [Configuring Mail Alerts](#) on page 45.

To set up email notifications for supplies data:

1. At your computer, open a Web browser, type the IP address of the printer in the address field, then press **Enter** or **Return**.
2. Click **Properties**.
3. In the left navigation panel, scroll to **Smart eSolutions**, then select **Registration**.
4. In the Registration Window, under Setup, click **Setup Email Notification (Supplies Data Send Alerts)**.
5. Under Recipient Group Addresses, next to **Supplies Administrator Email Addresses**, enter the email addresses of the administrators to which the printer sends email notifications.
6. To send an email alert if the registration with the Xerox Communication Server is canceled, select **Send Alert**.
7. Click **Save Changes**.

Installing the Software

This section includes:

- Operating System Requirements 73
- Installing the Print Drivers for a Windows Network Printer 73
- Installing the Print Drivers for a Windows USB Printer 74
- Installing Drivers and Utilities for Macintosh OS X Version 10.5 and Later 74
- Installing Drivers and Utilities for UNIX and Linux 75
- Other Drivers 76
- Installing the Printer as a Web Service on Devices 76

Before installing driver software, verify that the printer is plugged in, turned on, connected correctly, and has a valid IP address. The IP address usually appears in the upper right corner of the control panel. If you cannot find the IP address, see [Finding the IP Address of the Printer](#) on page 24.

If the *Software and Documentation disc* is not available, download the latest drivers from www.xerox.com/office/6600drivers.

Operating System Requirements

- Windows XP SP1 and later, Windows Vista, Windows 7, Windows Server 2003, Windows Server 2008, and Windows Server 2008 R2.
- Macintosh OS X version 10.5 and later
- UNIX and Linux: Your printer supports connection to various UNIX platforms through the network interface. For details, see www.xerox.com/office/6600drivers.

Installing the Print Drivers for a Windows Network Printer

1. Insert the *Software and Documentation disc* into the appropriate drive on your computer. If the installer does not start automatically, navigate to the drive, and double-click the **Setup.exe** installer file.

2. Click **Network Installation**.
3. At the bottom of the Driver Installation window, click **Language**.
4. Select your language, then click **OK**.
5. Click **Next**.
6. To accept the agreement, click **I accept the terms**, then click **Next**.
7. In the **Discovered Printers** list, select your printer, then click **Next**.

Note: When installing drivers for a network printer, if you do not see your printer in the list, click the **IP Address or DNS Name** button. In the IP Address or DNS Name field, type the IP address of your printer, then click **Search** to locate your printer. If you do not know the IP address of the printer, see [Finding the IP Address of Your Printer](#) on page 24.

8. To start the installation, click **Next**.
9. When the installation is complete, at the Enter Printer Settings screen, select the following as needed:
 - **Share this printer with other computers on the network**
 - **Set this printer as default for printing**
10. Click **Next**.
11. In the Software and Documentation window, for any option you do not want to install, clear the check box.
12. Click **Install**.
13. At the InstallShield Wizard, click **Yes** to restart your computer, then click **Finish**.
14. At the **Product Registration** screen, select your country from the list, then click **Next**. Complete the registration form, then submit it.

Installing the Print Drivers for a Windows USB Printer

1. Insert the *Software and Documentation disc* into the appropriate drive on your computer. If the installer does not start automatically, navigate to the drive, and double-click the **Setup.exe** installer file.
2. Click the **Personal Installation (USB)** button.
3. At the bottom of the Driver Installation window, click **Language**.
4. Select your language, then click **OK**.
5. Click **Next**.
6. Click **I accept the terms** to accept the agreement, then click **Next**.
7. At the InstallShield Wizard, click **Yes** to restart your computer, then click **Finish**.
8. At the **Product Registration** screen, select your country from the list, then click **Next**. Complete the registration form and submit it.

Installing Drivers and Utilities for Macintosh OS X Version 10.5 and Later

Install the Xerox® print driver to access all features of your printer.

To install the print driver software:

1. Insert the *Software and Documentation disc* into your computer.
2. Double-click the disc icon on your desktop to see the **.dmg** file for your printer.
3. Open the **.dmg** file, and navigate to the appropriate installer file for your operating system.
4. Open the installer file.
5. Click **Continue** to acknowledge the warning and introductory messages.
6. Click **Continue** and accept the license agreement.
7. To accept the current installation location, click **Install**, or select another location for the installation files, then click **Install**.
8. Enter your password, then click **OK**.
9. Select your printer in the list of discovered printers, then click **Continue**.
10. If your printer does not appear in the list of discovered printers:
 - a. Click the **Network Printer Icon**.
 - b. Type the IP address of your printer, then click **Continue**.
 - c. Select your printer in the list of discovered printers, then click **Continue**.
11. To accept the print queue message, click **OK**.
12. Select or clear the **Set Printer as Default** and **Print a Test Page** check boxes.
13. Click **Continue**, then click **Close**.

Note: The printer is added automatically to the printer queue.

To verify that the print driver recognizes the installed options:

1. From the Apple menu, click **System Preferences > Print & Fax** or **Print & Scan**.
2. Select the printer in the list, then click **Options and Supplies**.
3. Click **Driver**, then confirm that your printer is selected.
4. Confirm that all of the options installed on the printer appear correct.
5. If you change settings, click **Apply Changes**, close the window, and quit System Preferences.

Installing Drivers and Utilities for UNIX and Linux

Xerox® Services for UNIX Systems is a two part installation process. It requires the installation of a Xerox® Services for UNIX Systems code package and a printer support package. The Xerox® Services for UNIX Systems code package must be installed before installing the printer support package.

Note: You must have root or superuser privileges to perform the UNIX print driver installation on your computer.

1. At the printer, do the following:
 - a. Verify that both the TCP/IP protocol and the proper connector are enabled.
 - b. On the printer control panel, do one of the following for the IP address:
 - Allow the printer to set up a DHCP address.
 - Enter the IP address manually.

- c. Print the Configuration Report and keep it for reference. For details, see [Configuration Report](#) on page 23.
2. At your computer, do the following:
 - a. Go to www.xerox.com/office/6600drivers and select your printer model.
 - b. From the Operating System menu, select **UNIX**, then click **Go**.
 - c. Select the **Xerox® Services for UNIX Systems** package for the correct operating system. This package is the core package and must be installed before the printer support package.
 - d. To begin downloading, click the **Start** button.
 - e. Repeat steps a and b, then click the printer package for use with the Xerox® Services for UNIX Systems package that you selected earlier. The second part of the driver package is ready for download.
 - f. To begin downloading, click the **Start** button.
 - g. In the notes below the driver package that you selected, click the link for the **Installation Guide**, then follow the installation instructions.

Notes:

- To load Linux print drivers, perform the preceding procedures but select **Linux** as the operating system. Select **Xerox® Services for Linux Systems driver** or the **Linux CUPS Printing Package**. You can also use the CUPS driver included in the Linux package.
- Supported Linux drivers are available at www.xerox.com/office/6600drivers.
- For details about UNIX and Linux drivers, see the *System Administrator Guide* at www.xerox.com/office/6600docs.

Other Drivers

The following drivers are available for download at www.xerox.com/office/6600drivers.

- The Xerox® Global Print Driver works with any printer on your network, including those printers made by other manufacturers. It configures itself for your individual printer upon installation.
- The Xerox® Mobile Express Driver works with any printer available to your computer that supports standard PostScript. It configures itself for the printer you select every time you print. If you travel frequently to the same sites, you can save your favorite printers in that location and the driver saves your settings.

Installing the Printer as a Web Service on Devices

Web Services on Devices (WSD) allow a client to discover and access a remote device and its associated services across a network. WSD supports device discovery, control, and use.

To install a WSD printer using the Add Device Wizard:

1. At your computer, click **Start**, then select **Devices and Printers**.
2. To launch the Add Device Wizard, click **Add a Device**.
3. In the list of available devices, select the one you want to use, then click **Next**.

Note: If the printer you want to use does not appear in the list, click the **Cancel** button. Add the WSD printer manually using the Add Printer Wizard.

4. Click **Close**.

To install a WSD printer using the Add Printer Wizard:

1. At your computer, click **Start**, then select **Devices and Printers**.
2. To launch the Add Printer Wizard, click **Add a Printer**.
3. Click **Add a network, wireless, or Bluetooth printer**.
4. In the list of available devices, select the one you want to use, then click **Next**.
5. If the printer you want to use does not appear in the list, click **The printer that I want is not listed**.
6. Select **Add a printer using a TCP/IP address or hostname**, then click **Next**.
7. From the Device type field, select **Web Services Device**.
8. Enter the printer IP address in the Hostname or IP address field, then click **Next**.
9. Click **Close**.

Paper and Media

4

This chapter includes:

- Supported Paper 80
- Loading Paper 84
- Printing on Special Paper 90

Supported Paper

This section includes:

- [Recommended Media](#) 80
- [Ordering Paper](#)..... 80
- [General Paper Loading Guidelines](#)..... 80
- [Paper That Can Damage Your Printer](#) 81
- [Paper Storage Guidelines](#) 81
- [Supported Paper Types and Weights](#)..... 82
- [Supported Standard Paper Sizes](#) 82
- [Supported Paper Types and Weights for Automatic 2-Sided Printing](#) 82
- [Supported Standard Paper Sizes for Automatic 2-Sided Printing](#)..... 83
- [Supported Custom Paper Sizes](#) 83

Your printer is designed to use various paper and other media types. To ensure the best print quality and to avoid jams, follow the guidelines in this section.

For best results, use Xerox® paper and media recommended for your printer.

Recommended Media

A list of paper and media recommended for your printer is available at:

- www.xerox.com/paper Recommended Media List (United States)
- www.xerox.com/europaper Recommended Media List (Europe)

Ordering Paper

To order paper or other media, contact your local reseller or visit www.xerox.com/office/6600supplies.

General Paper Loading Guidelines

- Do not overfill the paper trays. Do not load paper above the maximum fill line in the tray.
- Adjust the paper guides to fit the paper size.
- Fan paper before loading it in the paper tray.
- If excessive jams occur, use paper or other approved media from a new package.
- Do not print on label media once a label has been removed from a sheet.
- Use only paper envelopes. Print envelopes 1-sided only.

Paper That Can Damage Your Printer

Some paper and other media types can cause poor output quality, increased paper jams, or damage your printer. Do not use the following:

- Rough or porous paper
- Inkjet paper
- Non-laser glossy or coated paper
- Paper that has been photocopied
- Paper that has been folded or wrinkled
- Paper with cutouts or perforations
- Stapled paper
- Envelopes with windows, metal clasps, side seams, or adhesives with release strips
- Padded envelopes
- Plastic media



CAUTION: The Xerox® Warranty, Service Agreement, or Xerox® Total Satisfaction Guarantee does not cover damage caused by using unsupported paper or specialty media. The Xerox® Total Satisfaction Guarantee is available in the United States and Canada. Coverage could vary outside these areas. Please contact your local representative for details.

Paper Storage Guidelines

Storing your paper and other media properly contributes to optimum print quality.

- Store paper in dark, cool, relatively dry locations. Most paper is susceptible to damage from ultraviolet and visible light. Ultraviolet light, from the sun and fluorescent bulbs, is particularly damaging to paper.
- Reduce the exposure of paper to strong lights for long periods of time.
- Maintain constant temperatures and relative humidity.
- Avoid storing paper in attics, kitchens, garages, or basements. These spaces are more likely to collect moisture.
- Store paper flat, either on pallets, cartons, shelves, or in cabinets.
- Avoid food or drinks in the area where paper is stored or handled.
- Do not open sealed packages of paper until you are ready to load them into the printer. Leave stored paper in the original packaging. The paper wrapper protects the paper from moisture loss or gain.
- Some special media is packaged inside resealable plastic bags. Store the media inside the bag until you are ready to use it. Keep unused media in the bag and reseal it for protection.

Supported Paper Types and Weights

| Trays | Paper Types | Weights |
|-------------|---|-----------------------------|
| All Trays | Hole Punched Colored | (60–90 g/m ²) |
| | Plain Letterhead | (75–105 g/m ²) |
| | Lightweight Cardstock Lightweight Glossy Cardstock | (106–163 g/m ²) |
| | Heavyweight Cardstock Heavyweight Glossy Cardstock | (164–216 g/m ²) |
| Bypass Tray | Labels Envelope | |

Supported Standard Paper Sizes

| Tray | European Standard Sizes | North American Standard Sizes |
|-------------|---|--|
| All Trays | A4 (210 x 297 mm, 8.3 x 11.7 in.) B5 (176 x 250 mm, 6.9 x 9.8 in.) A5 (148 x 210 mm, 5.8 x 8.3 in.) | Legal (216 x 356 mm, 8.5 x 14 in.) Folio (216 x 330 mm, 8.5 x 13 in.) Letter (216 x 279 mm, 8.5 x 11 in.) Executive (184 x 267 mm, 7.25 x 10.5 in.) |
| Bypass Tray | C5 envelope (162 x 229 mm, 6.4 x 9 in.) DL envelope (110 x 220 mm, 4.33 x 8.66 in.) | Monarch envelope (98 x 190 mm, 3.9 x 7.5 in.) No. 10 envelope (241 x 105 mm, 4.1 x 9.5 in.) |

Supported Paper Types and Weights for Automatic 2-Sided Printing

| Paper Types | Weights |
|---|-----------------------------|
| Hole Punched Colored | (60–90 g/m ²) |
| Plain Letterhead | (75–105 g/m ²) |
| Lightweight Cardstock Lightweight Glossy Cardstock | (106–163 g/m ²) |

Supported Standard Paper Sizes for Automatic 2-Sided Printing

| European Standard Sizes | North American Standard Sizes |
|-----------------------------------|---|
| A4 (210 x 297 mm, 8.3 x 11.7 in.) | Legal (216 x 356 mm, 8.5 x 14 in.) |
| B5 (176 x 250 mm, 6.9 x 9.8 in.) | Folio (216 x 330 mm, 8.5 x 13 in.) |
| A5 (148 x 210 mm, 5.8 x 8.3 in.) | Letter (216 x 279 mm, 8.5 x 11 in.) |
| | Executive (184 x 267 mm, 7.25 x 10.5 in.) |

Supported Custom Paper Sizes

Bypass Tray

- Width: 76.2–215.9 mm (3–8.5 in.)
- Length: 127–355.6 mm (5–14 in.)

Trays 1 and 2

- Width: 148–215.9 mm (5.8–8.5 in.)
- Length: 210–355.6 mm (8.3–14 in.)

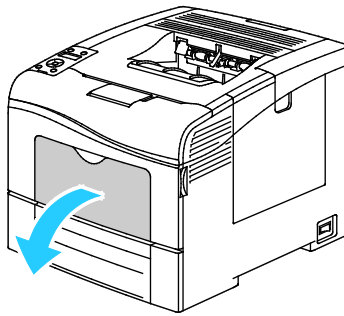
Loading Paper

This section includes:

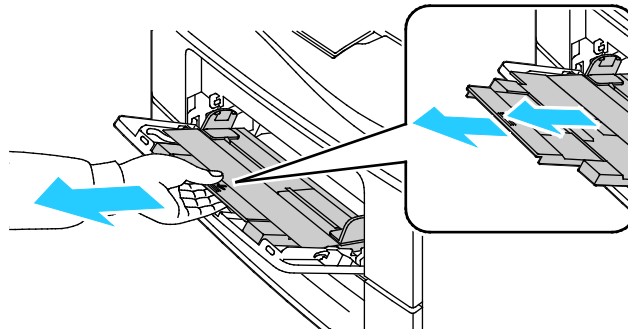
- Loading Paper in the Bypass Tray..... 84
- Configuring Trays 1 or 2 for the Paper Length..... 86
- Loading Paper in Trays 1 and 2 87

Loading Paper in the Bypass Tray

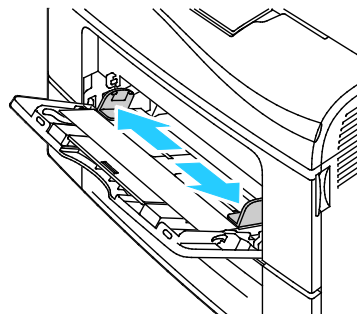
1. If the Bypass Tray is loaded with paper already, remove any paper that is a different size or type.



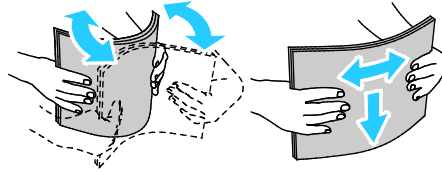
2. Pull out the extension tray for larger sizes.



3. Move the width guides to the edges of the tray.

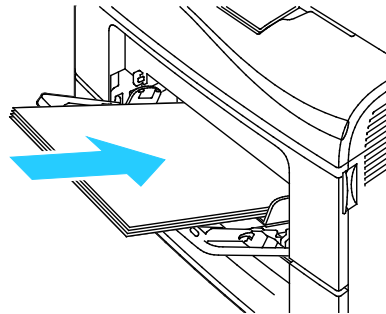


- Flex the sheets back and forth and fan them, then align the edges of the stack on a level surface. This procedure separates any sheets that are stuck together and reduces the possibility of jams.

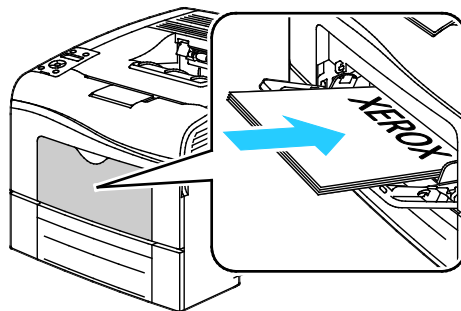


Note: To avoid jams and misfeeds, do not remove paper from its packaging until you are ready to use it.

- Load the paper in the tray. Load hole punched paper with the holes to the left.



- For 1-sided printing, load letterhead or pre-printed face up with the top edge going into the printer.



- For 2-sided printing, load letterhead and pre-printed face down with the top edge going into the printer.

Note: Do not load paper above the maximum fill line. Overfilling the tray can cause the printer to jam.

6. Adjust the width guides until they touch the edges of the paper.
7. If the control panel prompts you, verify the size and type on the screen.
 - a. At the printer control panel, press the **Menu** button.

Note: To navigate through the menu, use the **Up** or **Down** arrow buttons.

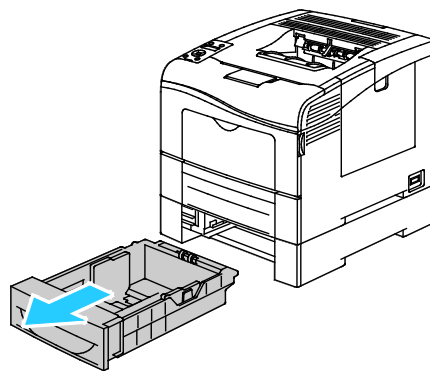
- b. Navigate to **Tray Settings**, then press **OK**.
- c. Navigate to **Bypass Tray**, then press **OK**.
- d. Navigate to **Tray Mode**, then press **OK**.
- e. Navigate to **Panel Specified**, then press **OK**.
- f. To return to the previous menu, press the **Left** arrow button.
- g. Navigate to **Paper Size**, then press **OK**.
- h. To select a setting, press the **Up** or **Down** arrow buttons, then press **OK**.
- i. To return to the previous menu, press the **Left** arrow button.
- j. Navigate to **Paper Type**, then press **OK**.
- k. To select a setting, press the **Up** or **Down** arrow buttons, then press **OK**.

Configuring Trays 1 or 2 for the Paper Length

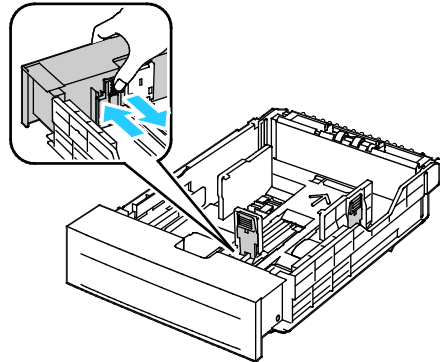
You can adjust the lengths of Trays 1 and 2 to accommodate A4/Letter and Legal paper sizes. In the Legal length settings, the trays protrude from the front of the printer.

To change the 550-Sheet Feeders in Trays 1 and 2 to match the paper length:

1. Remove all paper from the tray.
2. To remove the tray from the printer, pull out the tray until it stops, lift the front of the tray slightly, then pull it out.



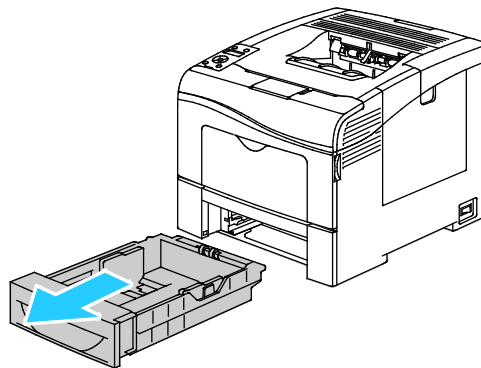
3. To extend the tray, hold the back of the tray with one hand. With the other hand, press the release latch at the front of the tray and pull the ends outward until they latch.



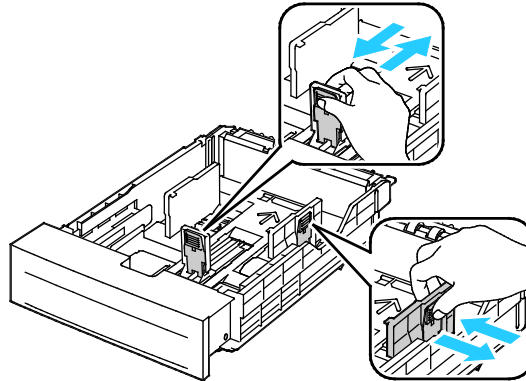
4. To compress the tray for shorter paper, hold the back of the tray with one hand. With the other hand, press the release latch at the front of the tray, then push the ends inward until they latch.
5. Load paper into the tray before inserting it back into the printer. For details, see [Loading Paper into Trays 1 and 2](#) on page 87.

Loading Paper in Trays 1 and 2

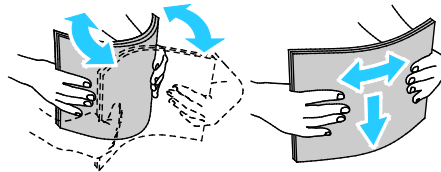
1. Pull out the tray until it stops.
2. To remove the tray from the printer, pull out the tray until it stops, lift the front of the tray slightly, then pull it out.



3. At the back of the paper tray, press the paper lift tray down until it locks.
4. Adjust the paper length and width guides as illustrated.

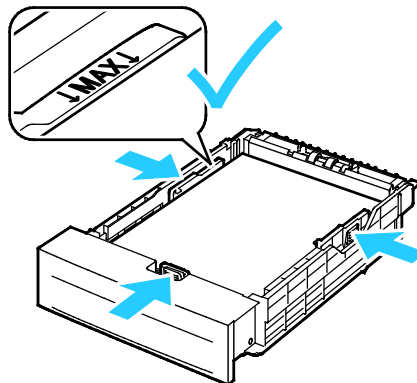


5. Flex the sheets back and forth and fan them, then align the edges of the stack on a level surface. This procedure separates any sheets that are stuck together and reduces the possibility of jams.

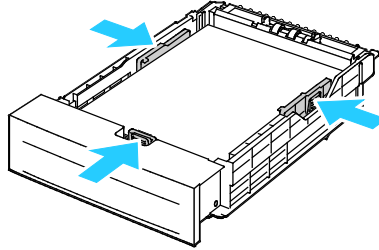


6. Load paper into the tray with the print side face up.
 - Load hole punched paper with the holes to the left.
 - For 1-sided printing, load letterhead face up with the top of the paper toward the back of the tray.
 - For 2-sided printing, load letterhead face down with the top of the paper toward the back of the tray.

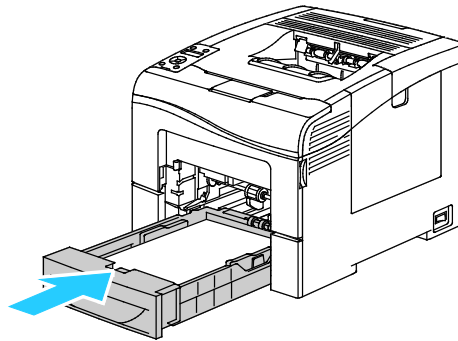
Note: Do not load paper above the maximum fill line. Overfilling the tray can cause the printer to jam.



7. Adjust the length and width guides to fit the paper.



8. Slide the tray back into the printer.



9. Push the tray in all the way.

Notes:

- If the tray does not go all the way in, ensure that the paper lift at the back of the tray is locked down.
- If the tray is extended for legal size paper, the tray protrudes when it is inserted into the printer.

10. If the control panel prompts you, verify the size and type on the screen.

- a. At the printer control panel, press the **Menu** button.

Note: To navigate through the menu, use the **Up** or **Down** arrow buttons.

- b. Navigate to **Tray Settings**, then press **OK**.
- c. Navigate to the desired paper tray, then press **OK**.
- d. Navigate to **Paper Size**, then press **OK**.
- e. To select a setting, press the **Up** or **Down** arrow buttons, then press **OK**.
- f. To return to the previous menu, press the **Left** arrow button.
- g. Navigate to **Paper Type**, then press **OK**.
- h. To select a setting, press the **Up** or **Down** arrow buttons, then press **OK**.

Printing on Special Paper

This section includes:

- [Envelopes](#) 90
- [Labels](#) 93
- [Glossy Cardstock](#) 94

To order paper or other media, contact your local reseller or visit www.xerox.com/office/6600supplies.

See also:

www.xerox.com/paper Recommended Media List (United States)

www.xerox.com/europaper Recommended Media List (Europe)

Envelopes

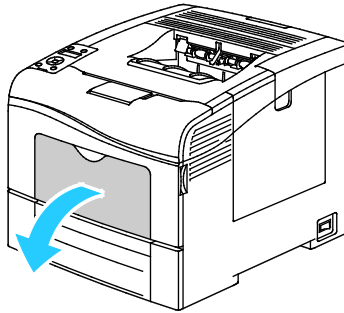
You can print envelopes from the Bypass Tray only.

Guidelines for Printing Envelopes

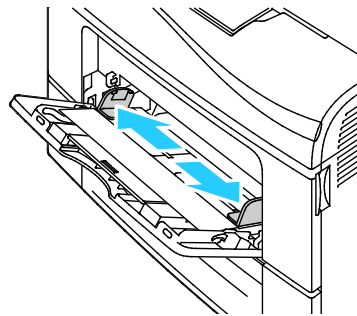
- Print quality depends on the quality and construction of the envelopes. Try another envelope brand if you do not get desired results.
- Maintain constant temperatures and relative humidity.
- Store unused envelopes in their packaging to avoid the excess moisture and dryness which can affect print quality and cause wrinkling. Excessive moisture can cause the envelopes to seal before or during printing.
- Remove air bubbles from the envelopes before loading them into the tray by setting a heavy book on top of them.
- In the print driver software, select Envelope as the paper type.
- Do not use padded envelopes. Use envelopes that lie flat on a surface.
- Do not use envelopes with heat activated glue.
- Do not use envelopes with press and seal flaps.
- Use only paper envelopes.
- Do not use envelopes with windows or metal clasps.

Loading Envelopes in the Bypass Tray

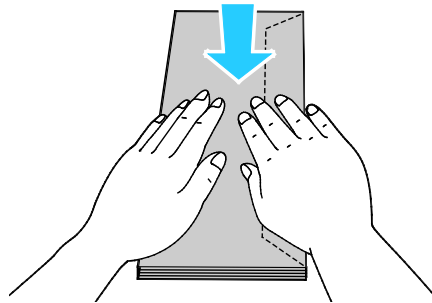
1. Open the Bypass Tray.



2. Move the width guides to the edges of the tray.

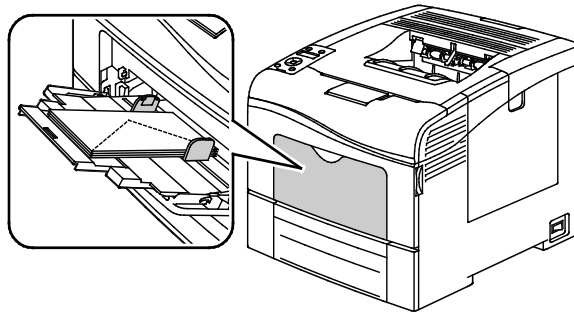


Note: If you do not load envelopes in the Bypass Tray right after they have been removed from the packaging, they can bulge. Flatten them to avoid jams.



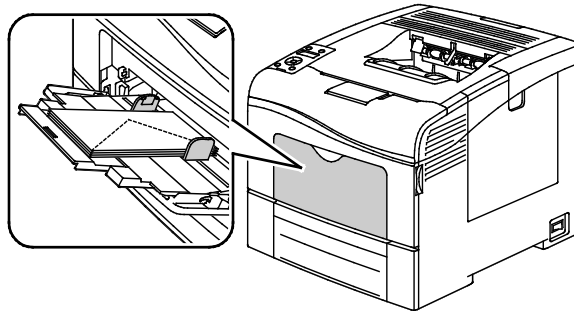
3. To load the envelopes, select an option:

- For Number 10 envelopes, load the envelopes with the short edge going into the printer, flaps down, and flaps to the right.

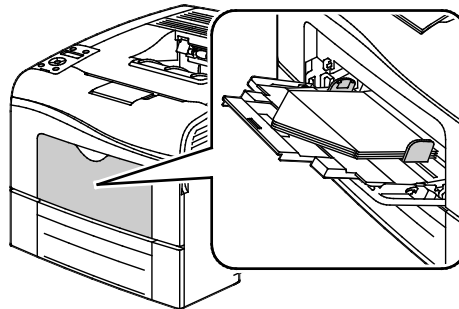


For Monarch or DL envelopes, do one of the following. If the envelopes wrinkle, try another option.

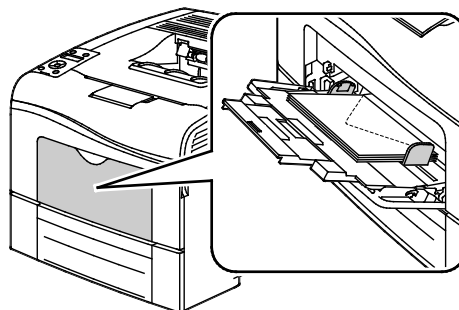
- With the short edge going into the printer, flaps down, and flaps to the right.



- With the print side up, flaps open and down, and the bottom of the envelope going into the printer.

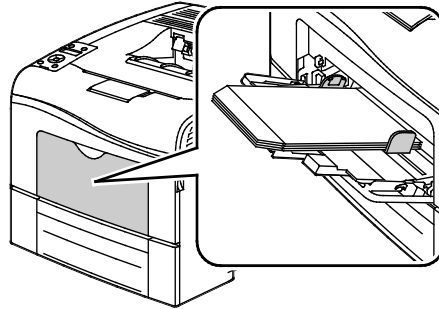


- With the print side up, flaps closed and down, and flaps going into the printer.

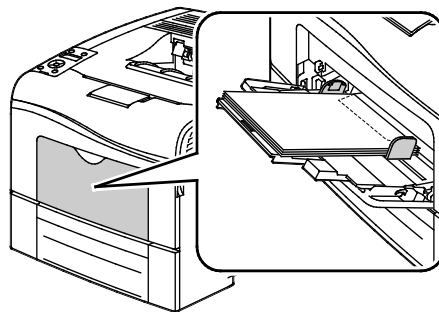


- For C5 envelopes, do one of the following. If the envelopes wrinkle, try another option.

- With the print side up, flaps open and down, and the bottom of the envelope going into the printer.



- With the print side up, flaps closed and down, and going into the printer.



Note: When you load envelopes with the flaps open, in the print driver, select **Portrait**, **Landscape**, or **Rotated Landscape**, as needed, to have them print correctly. In the print driver, use **Rotate Image 180 Degrees** to flip the image, if needed.

1. At the printer control panel, press the **Menu** button.

Note: To navigate through the menu, use the **Up** or **Down** arrow buttons.

2. Navigate to **Tray Settings**, then press **OK**.
3. Navigate to **Bypass Tray**, then press **OK**.
4. Navigate to **Tray Mode**, then press **OK**.
5. Navigate to **Panel Specified**, then press **OK**.
6. To return to the previous menu, press the **Left** arrow button.
7. Navigate to **Paper Type**, then press **OK**.
8. Navigate to **Envelope**, then press **OK**.
9. To return to the previous menu, press the **Left** arrow button.
10. Navigate to **Paper Size**, then press **OK**.
11. Navigate to the desired envelope size, then press **OK**.

Labels

You can print labels from the Bypass Tray only.

Loading Labels in the Bypass Tray

1. Remove all paper from the tray.
2. Load labels face up with the top of the page going into the printer.
3. Adjust the width guides until they touch the edges of the paper.
4. At the printer control panel, press the **Menu** button.

Note: To navigate through the menu, use the **Up** or **Down** arrow buttons.

5. Navigate to **Tray Settings**, then press **OK**.
6. Navigate to **Bypass Tray**, then press **OK**.
7. Navigate to **Tray Mode**, then press **OK**.
8. Navigate to **Panel Specified**, then press **OK**.
9. To return to the previous menu, press the **Left** arrow button.
10. Navigate to **Paper Type**, then press **OK**.
11. Navigate to **Labels**, then press **OK**.

Guidelines for Printing Labels

- Use labels designed for laser printing.
- Do not use vinyl labels.
- Do not feed a sheet of labels through the printer more than once.
- Do not use dry gum labels.
- Print only on one side of the sheet of labels. Use full sheet labels only.
- Store unused labels flat in their original packaging. Leave the sheets of labels inside the original packaging until ready to use. Return any unused sheets of labels to the original packaging and reseal it.
- Do not store labels in extremely dry or humid conditions or extremely hot or cold conditions. Storing them in extreme conditions can cause print-quality problems or cause them to jam in the printer.
- Rotate stock frequently. Long periods of storage in extreme conditions can cause labels to curl and jam in the printer.
- In the print driver software, select Label as the paper type.
- Remove all other paper from the tray before loading labels.



CAUTION: Do not use any sheet where labels are missing, curled, or pulled away from the backing sheet. It could damage the printer.

Glossy Cardstock

You can print Lightweight Glossy Cardstock and Heavyweight Glossy Cardstock up to 216 g/m² from any tray.

Guidelines for Printing on Glossy Cardstock

- Do not open sealed packages of glossy cardstock until you are ready to load them into the printer.

- Leave glossy cardstock in the original wrapper, and leave the packages in the shipping carton until ready to use.
- Remove all other paper from the tray before loading glossy cardstock.
- Load only the amount of glossy cardstock you are planning to use. Do not leave glossy cardstock in the tray when you are finished printing. Replace unused cardstock in the original wrapper and seal.
- Rotate stock frequently. Long periods of storage in extreme conditions can cause glossy cardstock to curl and jam in the printer.
- In the print driver software, select the desired glossy cardstock type or select the tray loaded with the desired paper.

Printing

5

This chapter includes:

- [Printing Overview](#) 98
- [Selecting Printing Options](#) 99
- [Printing Features](#) 102
- [Using Custom Paper Sizes](#) 108

Printing Overview

Before printing, your computer and the printer must be plugged in, turned on, and connected. Ensure that you have the correct print driver software installed on your computer. For details, see [Installing the Software](#) on page 73.

1. Select the appropriate paper.
2. Load paper in the appropriate tray. On the printer control panel, specify the size, color, and type.
3. Access the print settings in your software application. For most software applications, press **CTRL+P** for Windows, or **CMD+P** for Macintosh.
4. Select your printer from the list.
5. Access the print driver settings by selecting **Properties** or **Preferences** for Windows, or **Xerox® Features** for Macintosh. The title of the button can vary depending on your application.
6. Modify the print driver settings as necessary, then click **OK**.
7. Click **Print** to send the job to the printer.

Selecting Printing Options

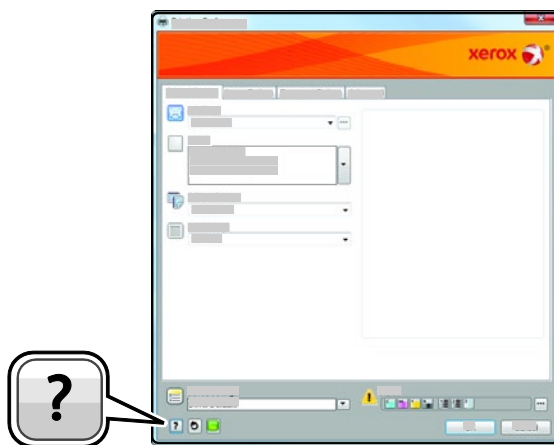
This section includes:

- [Print Driver Help](#) 99
- [Windows Printing Options](#) 99
- [Macintosh Printing Options](#) 101

Printing options, also called print driver software options, are specified as Printing Preferences in Windows, and Xerox® Features in Macintosh. Printing options include settings for 2-sided printing, page layout, and print quality. Printing options that are set from Printing Preferences become the default setting. Printing options that are set from within the software application are temporary. The application and the computer do not save the settings after the application is closed.

Print Driver Help

Xerox® print driver software Help information is available from the Printing Preferences window. Click the Help (?) button in the bottom left corner of the Printing Preferences window to see the Help.



Information about Printing Preferences appears in the Help window. From there, you can select by topic or use the search field to enter the topic or function for which you need information.

Windows Printing Options

Setting Default Printing Options for Windows

When you print from any software application, the printer uses the print job settings specified in the Printing Preferences window. You can specify your most common printing options and save them so that you do not have to change them every time you print.

For example, if you want to print on both sides of the paper for most jobs, specify 2-sided printing in Printing Preferences.

To select default printing options:

1. Navigate to the list of printers on your computer:
 - For Windows XP SP1 and later, click **Start > Settings > Printers and Faxes**.
 - For Windows Vista, click **Start > Control Panel > Hardware and Sound > Printers**.
 - For Windows Server 2003 and later, click **Start > Settings > Printers**.
 - For Windows 7, click **Start > Devices and Printers**.
2. In the list, right-click the icon for your printer and click **Printing Preferences**.
3. In the Printing Preferences window, click a tab, select the options, then click **OK** to save.

Note: For more information about Windows print driver options, click the Help button (?) in the Printing Preferences window.

Selecting Printing Options for an Individual Job for Windows

To use special printing options for a particular job, change the Printing Preferences from the application before sending the job to the printer. For example, if you want to use the Enhanced print-quality mode when printing a particular document, select Enhanced in Printing Preferences before printing the job.

1. With the document open in your software application, access the print settings. For most software applications, click **File > Print** or press **CTRL+P** for Windows.
2. Select your printer and click the **Properties** or **Preferences** button to open the Printing Preferences window. The title of the button can vary depending on your application.
3. Click a tab in the Printing Preferences window, then make selections.
4. Click **OK** to save and close the Printing Preferences window.
5. Click **Print** to send the job to the printer.

Saving a Set of Commonly Used Printing Options for Windows

You can define and save a set of options, so that you can apply them to future print jobs.

To save a set of printing options:

1. With the document open in your application, click **File > Print**.
2. Select the printer, then click **Properties**. Click the tabs in the Printing Properties window and select the desired settings.
3. Click **Saved Settings** at the bottom of the Printing Properties window, then click **Save As**.
4. Type a name for the set of printing options, then click **OK** to save the set of options in the Saved Settings list.
5. Select the name from the list to print using these options.

Macintosh Printing Options

Selecting Printing Options for Macintosh

To use specific printing options, change the settings before sending the job to the printer.

1. With the document open in your application, click **File > Print**.
2. Select your printer from the list.
3. Select **Xerox® Features** from the Copies & Pages menu.
4. Select the desired printing options from the drop-down lists.
5. Click **Print** to send the job to the printer.

Saving a Set of Commonly Used Printing Options for Macintosh

You can define and save a set of options, so that you can apply them to future print jobs.

To save a set of printing options:

1. With the document open in your application, click **File > Print**.
2. Select your printer from the Printers list.
3. Select the desired printing options from the drop-down lists in the Print dialog box.
4. Click **Presets > Save As**.
5. Type a name for the printing options, then click **OK** to save the set of options in the Presets list.
6. To print using these options, select the name from the Presets list.

Printing Features

This section includes:

- [Printing on Both Sides of the Paper](#)..... 102
- [Orientation](#) 103
- [Selecting Paper Options for Printing](#)..... 104
- [Printing Multiple Pages to a Single Sheet](#)..... 104
- [Printing Booklets](#) 104
- [Print Quality](#) 105
- [Image Options](#)..... 105
- [Printing Watermarks](#)..... 106
- [Scaling](#)..... 106
- [Printing Mirror Images](#)..... 107
- [Printing Special Job Types](#)..... 107

Printing on Both Sides of the Paper

Printing a 2-Sided Document

If your printer supports Automatic 2-Sided Printing, the options are specified in the print driver. The print driver uses the settings for portrait or landscape orientation from the application for printing the document.

Note: Ensure that the paper size and weight are supported. For details, see [Supported Paper Sizes and Weights for Automatic 2-Sided Printing](#) on page 82.

Setting Up 1-Sided Printing

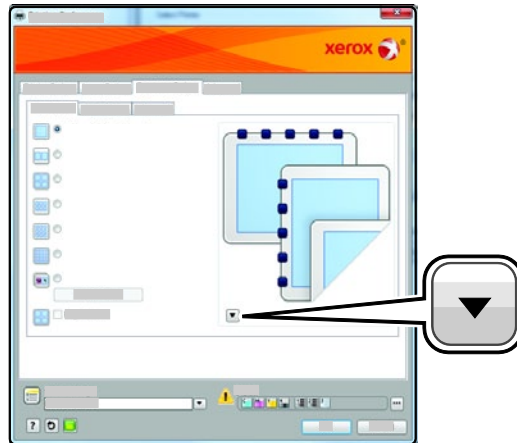
To set 1-sided printing as the default setting:

1. Navigate to the list of printers on your computer.
2. From the Printers and Faxes window, select a printer, right-click the printer, then select **Printing preferences**.
3. On the Printing Options tab, click the arrow to the right of the 2-Sided Printing, then select **1-Sided Print**.
4. To close the Printing Preferences dialog box, click **OK**.

2-Sided Page Layout Options

You can specify the page layout for 2-sided printing, which determines how the printed pages turn. These settings override the application page orientation settings.

To make a 2-sided printing selection, on the Page Layout tab, use the arrow button in the bottom left corner of the preview pane. Page Layout is on the Document Options tab.



- **1-Sided Print** prints on one side of the media. Use this option when printing on envelopes, labels, or other media that cannot be printed on both sides.
- **2-Sided Print** prints the job on both sides of the paper to allow binding on the long edge of the paper. The following illustrations show the result for documents with portrait and landscape orientations, respectively:



- **2-Sided Print, Flip on Short Edge** prints on both sides of the paper. The images print to allow binding on the short edge of the paper. The following illustrations show the result for documents with portrait and landscape orientations, respectively:



Note: 2-Sided Printing is part of the Earth Smart settings.

To change your default print driver settings, see [Setting Default Printing Options for Windows](#) on page 99.

Orientation

To select the default orientation:

1. On the Advanced tab, click **Advanced Settings**.
2. Click **Orientation**. Select an option:
 - **Portrait** orients the paper so that the text and images print across the short dimension of the paper.



- **Landscape** orients the paper so that the text and images print across the long dimension of the paper.



- **Rotated Landscape** orients the paper so that the content is rotated 180 degrees and with the long bottom side up.



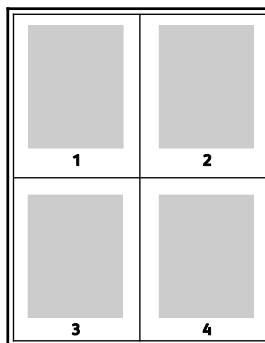
3. Click **OK**.

Selecting Paper Options for Printing

There are two ways to select the paper for your print job. You can let the printer select which paper to use based on the document size, paper type, and paper color you specify. You can also select a specific tray loaded with the desired paper.

Printing Multiple Pages to a Single Sheet

When printing a multiple-page document, you can print more than one page on a single sheet of paper. Print 1, 2, 4, 6, 9, or 16 pages per side by selecting Pages Per Sheet on the Page Layout tab. Page Layout is on the Document Options tab.

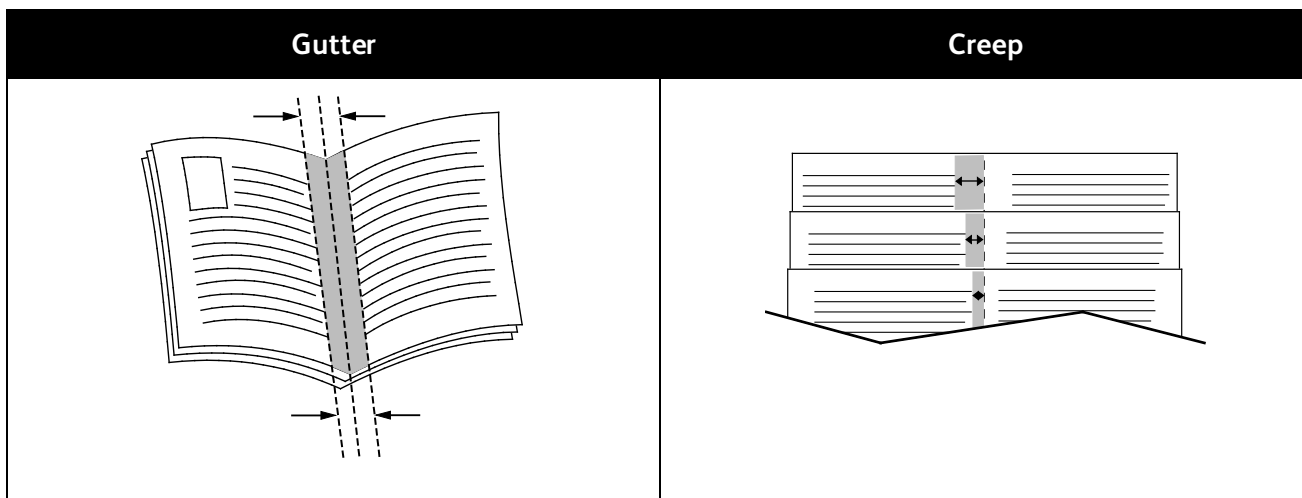


Printing Booklets

With 2-sided printing, you can print a document in the form of a small booklet. Create booklets from any paper size that is supported for 2-sided printing. The driver automatically reduces each page image and prints four page images per sheet of paper, two page images on each side. The pages are printed in the correct order so that you can fold and staple the pages to create the booklet.

When you print booklets using the Windows PostScript or Macintosh driver, you can specify the gutter and creep.

- **Gutter** specifies the horizontal distance in points between the page images. A point is 0.35 mm (1/72 in.).
- **Creep** specifies how much the page images are shifted outward, in tenths of a point. Shifting compensates for the thickness of the folded paper, which would cause the page images to shift slightly outward when folded. You can select a value from zero to 1 point.



Print Quality

Print quality modes:

- Standard print-quality mode: 600 x 600 dpi
- Enhanced print-quality mode: 600 x 600 x 4 dpi (1200 x 1200 enhanced image quality)
- Photo print-quality mode: 600 x 600 x 4 dpi (1200 x 1200 enhanced image quality)

Note: The print resolutions are indicated for PostScript print drivers only. The only print quality mode for PCL is Enhanced.

Image Options

Image options controls the way the printer uses color to produce your document. The Windows PostScript and the Macintosh drivers provide the widest range of color controls and corrections on the Image Options tab.

To convert all color in the document to black and white or shades of gray, select **Xerox Black and White Conversion**.

The printer provides the following color correction options:

- **Automatic Color** applies the best color correction to text, graphics, and images. Xerox recommends this setting.
- **Vivid Color** produces brighter and more saturated colors.

Printing Watermarks

A watermark is special purpose text that can be printed across one or more pages. For example, you can add a word like Copy, Draft, or Confidential as a watermark instead of stamping it on a document before distribution.

To print a watermark:

1. Click the **Document Options** tab of the print driver.
2. From the Watermark menu, select the watermark. You can choose from preset watermarks, or create a customized watermark. You can also manage watermarks from this menu.
3. Under Text, select an option:
 - For **Text**, enter the text in the field, then specify the font and color.
 - For **Time Stamp**, specify the date and time options, then specify the font and color.
 - For **Picture**, click the Browse icon to locate the picture. Specify the scaling option that specifies the size of the picture in relation to the original image.
4. Specify the angle and position of the watermark.
5. Under **Layering**, select how to print the watermark:
 - **Print in Background** prints the watermark behind the text and graphics in the document.
 - **Blend** combines the watermark with the text and graphics in the document. A blended watermark is translucent, so you can see both the watermark and the document content.
 - **Print in Foreground** prints the watermark over the text and graphics in the document.
6. Click **Pages**, then select the pages on which to print the watermark:
 - **Print on All Pages** prints the watermark on all pages of your document.
 - **Print on Page 1 Only** prints the watermark only on the first page of the document.
7. If you selected a picture as a watermark, specify the lightness of the image.
8. Click **OK**.

Scaling

Scaling reduces or enlarges the original document to match the selected output paper size. In Windows, the Scale Options are located in the print driver on the Printing Options tab in the Paper field.

To access Scale Options, click the arrow at the right side of the Paper field, then select **Other Size**.

- **No Scaling** does not change the size of the page image printed on the output paper, and 100 % appears in the percentage box. If the original size is larger than the output size, the page image is cropped. If the original size is smaller than the output size, extra space appears around the page image.
- **Automatically Scale** scales the document to fit the selected Output Paper Size. The scaling amount appears in the percentage box below the sample image.
- **Manually Scale** scales the document by the amount entered in the percentage box below the preview image.

Printing Mirror Images

If the PostScript driver is installed, you can print pages as a mirror image. Images mirror left to right when printed.

Printing Special Job Types

Special job types allow you to send a print job from your computer, then print it from the printer control panel. Select special job types in the print driver, Printing Options tab, under Job Type.

Note: The special job types are stored in memory on the printer and are removed when the printer is powered off. To store the special job types permanently, your printer needs one of the optional Productivity Kits installed.

Saved Job

Saved jobs are documents sent to the printer and stored there for future use.

Note: This function is available only on printers with an optional Productivity Kit installed.

To release a saved job:

1. To access the Walk-Up Features menu, click the **Left** arrow button.
2. Navigate to **Saved Jobs**, then press **OK**.
3. Navigate to your username, then press **OK**.
4. Navigate to the desired job, then press **OK**.
5. Select an option. If you selected **Print and Save**, specify the number of print jobs.

Secure Print

Secure Print allows you to associate a 1–12 digit passcode number with a print job when sending it to the printer. The job is held at the printer until the same passcode is entered at the control panel.

Notes:

- This function is available only on printers with an optional Productivity Kit installed.
- If the control panel is dark, press the **Power Saver** button.
- To navigate through the menu, use the **Up** or **Down** arrow buttons.

To release a Secure Print job for printing:

1. To access the Walk-Up Features menu, click the **Left** arrow button.
2. Navigate to **Secure Print**, then press **OK**.
3. Navigate to your username, then press **OK**.
4. To enter your passcode, use the arrow buttons, then press **OK**.
5. Navigate to the desired job, then press **OK**.
6. Select an option. If you selected **Print and Save**, specify the number of print jobs.

Using Custom Paper Sizes

This section includes:

- [Defining Custom Paper Sizes](#)..... 108
- [Creating and Saving Custom Paper Sizes](#) 108
- [Printing on Custom Paper Sizes](#) 109

The Phaser 6600 Color Printer prints on custom paper sizes that are within the minimum and maximum size range supported by the printer.

Defining Custom Paper Sizes

To print custom paper sizes, define the custom width and length of the paper in the print driver software and on the printer control panel. When setting the paper size, ensure that you specify the same size as the paper in the tray. Setting the wrong size can cause a printer error. Print driver settings override control panel settings when you print using the print driver software on your computer.

Creating and Saving Custom Paper Sizes

You can print custom-size paper from any paper tray. Custom-size paper settings are saved in the print driver and are available for you to select in all your applications.

For detail on supported paper sizes for each tray, see [Supported Custom Paper Sizes](#) on page 83.

To create and save custom sizes for Windows:

1. Click the **Printing Options** tab of the print driver.
2. Click the arrow at the right of the Paper field, then select **Other Size > Output Paper Size > New**.
3. In the New Custom Paper Size window, enter the height and width of the new size, then select the units.
4. Enter a title for the new size in the Name field, then click **OK** to save.
5. Click **OK**.

To create and save custom sizes for Macintosh:

1. In the application, click **File > Page Setup**.
2. Click **Paper Sizes**, then select **Manage Paper Sizes**.
3. To add a new size, in the Manage Paper Sizes window, click the plus sign (+).
4. Double-click **Untitled** at the top of the window and type a name for the new custom size.
5. Enter the height and width of the new custom size.
6. Click the arrow to the right of the Non-Printable Area field and select the printer from the list. Or set the top, bottom, right, and left margins for User Defined margins.
7. To save the settings, click **OK**.

Printing on Custom Paper Sizes

Note: Before printing on a custom paper size, use the Custom Paper Sizes feature in printer properties to define the custom size. For details, see [Defining Custom Paper Sizes](#) on page 108.

Printing on Custom Paper Size Using Windows

1. Load the custom-size paper in the tray. For details, see [Loading Paper](#) on page 84.
2. In the application, click **File > Print** and select your printer.
3. In the Print dialog box, click **Properties**.
4. On the Printing Options tab, to select the desired custom size, use the **Paper** drop-down list.
Note: If you are printing on custom size paper, define the custom size in the printer properties before printing.
5. From the Other Type drop-down list, select the paper type.
6. Select any other desired options, then click **OK**.
7. In the Print dialog box, click **OK** to start printing.

Printing on Custom Paper Size Using Macintosh

1. Load the custom-size paper. For details, see [Loading Paper](#) on page 84.
2. In the application, click **Page Setup**.
3. From the Paper Size drop-down list, select the custom paper size.
4. Click **OK**.
5. In the application, click **Print**.
6. Click **OK**.

Maintenance

6

This chapter includes:






- [Cleaning the Printer](#) 112
- [Adjustments and Maintenance Procedures](#) 122
- [Ordering Supplies](#)..... 125
- [Managing the Printer](#) 128
- [Moving the Printer](#) 130

Cleaning the Printer

This section includes:

- [General Precautions](#) 112
- [Cleaning the Exterior](#) 112
- [Cleaning the Interior](#) 113

General Precautions


-  **CAUTION:** When cleaning your printer do not use organic or strong chemical solvents or aerosol cleaners. Do not pour fluids directly into any area. Use supplies and cleaning materials only as directed in this documentation.
 -  **WARNING:** Keep all cleaning materials out of the reach of children.
 -  **WARNING:** Do not use pressurized spray cleaning aids on or in the printer. Some pressurized sprays contain explosive mixtures and are not suitable for use in electrical applications. Use of such cleaners increase the risk of fire and explosion.
 -  **WARNING:** Do not remove the covers or guards that are fastened with screws. You cannot maintain or service any parts that are behind these covers and guards. Do not attempt any maintenance procedure that is not described in the documentation supplied with your printer.
 -  **WARNING:** Internal parts of the printer can be hot. Use caution when doors and covers are open.
- Do not place anything on top of the printer.
 - Do not leave the covers and doors open for any length of time, especially in well-lit places. Light exposure can damage the imaging units.
 - Do not open covers and doors during printing.
 - Do not tilt the printer while it is in use.
 - Do not touch the electrical contacts or gears. Doing so could damage the printer and cause the print quality to deteriorate.
 - Ensure any parts removed during cleaning are replaced before you plug in the printer.

Cleaning the Exterior

Clean the exterior of the printer once a month.

- Wipe the paper tray, output tray, control panel, and other parts with a damp, soft cloth.
- After cleaning, wipe with a dry, soft cloth.

- For stubborn stains, apply a small amount of mild detergent to the cloth and gently wipe the stain off.


 **CAUTION:** Do not spray detergent directly on the printer. Liquid detergent could enter the printer through a gap and cause problems. Never use cleaning agents other than water or mild detergent.

Cleaning the Interior

Clean the interior of the printer regularly to prevent stains inside the printer that can deteriorate printing quality. Clean the printer interior whenever you replace an imaging unit.


After clearing paper jams or replacing a toner cartridge, inspect the inside of the printer before closing the printer covers.

- Remove any remaining pieces of paper or debris. For details, see [Clearing Paper Jams](#) on page 139.
- Remove any dust or stains with a dry, clean cloth.


 **WARNING:** Never touch a labeled area on or near the heat roller in the fuser. You can get burned. If a sheet of paper is wrapped around the heat roller, do not try to remove it immediately. Switch off the printer immediately and wait 40 minutes for the fuser to cool. Try to remove the jam after the printer has cooled.

Cleaning the Laser Lenses

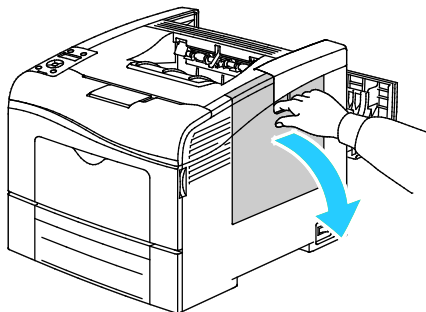
If prints have voids or light streaks through one or more color, use the following instructions to clean the laser lenses.

 **WARNING:** If you accidentally get toner on your clothes, lightly dust them off as best as you can. If some toner remains on your clothes, use cool water, not hot, to rinse off the toner. If toner gets on your skin, wash it off with cool water and a mild soap. If you get toner in your eyes, wash it out immediately with cool water and consult a doctor.

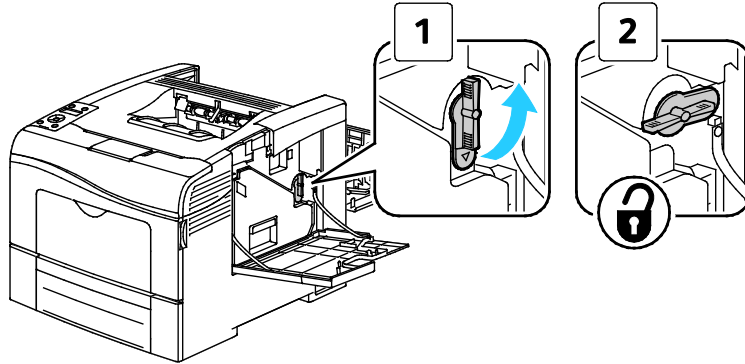
1. Turn off the printer.

 **CAUTION:** If the optional Productivity Kit (HD) is not installed, ensure that the Ready LED is off before you turn off the printer. The data in the memory is cleared when the printer is turned off.

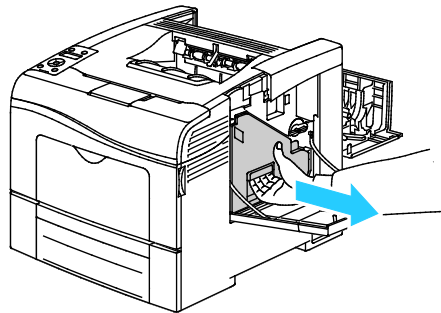
2. Open the side door.



3. To unlock the waste cartridge, turn the waste cartridge lever 90-degrees counterclockwise.

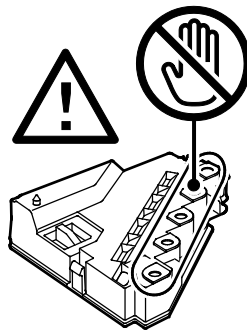


4. Grasp the handle of the waste cartridge, then pull it out. To prevent toner spills, keep the openings facing up.

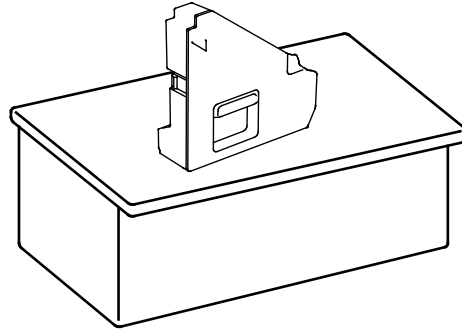


Notes:

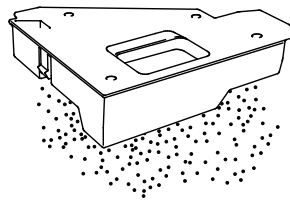
- Be careful not to spill toner when handling the waste cartridge.
- After removing the waste cartridge, do not touch the area shown in the illustration.



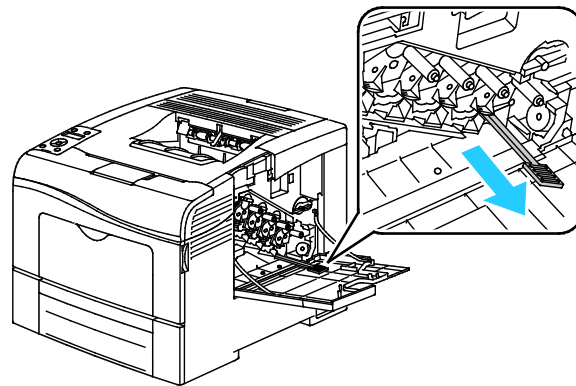
5. Place the removed waste cartridge on a level surface.



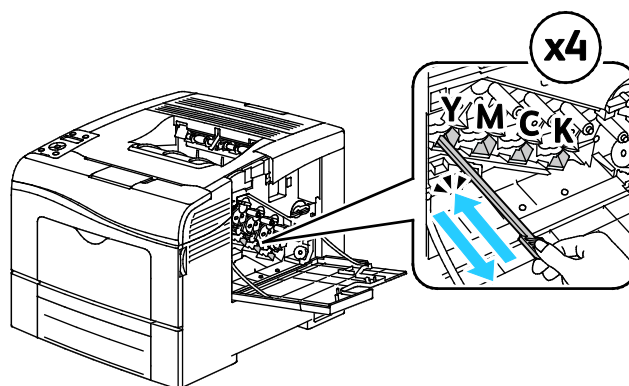
-  **CAUTION:** To avoid toner spills or malfunction, do not lay the waste cartridge on its side.



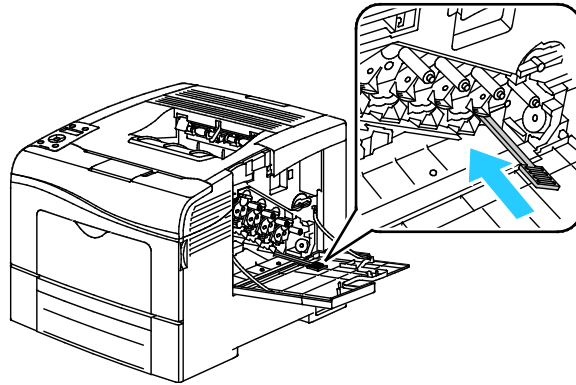
6. Remove the cleaning rod from inside the printer.



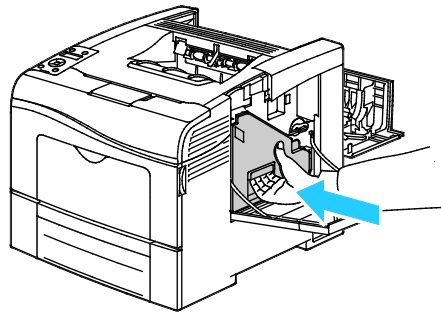
7. Insert the cleaning rod into one of the four cleaning holes until it clicks, then pull it out. Repeat this two more times.



8. Repeat the procedure for the holes in the other three slots.
9. Return the cleaning rod to its original location.

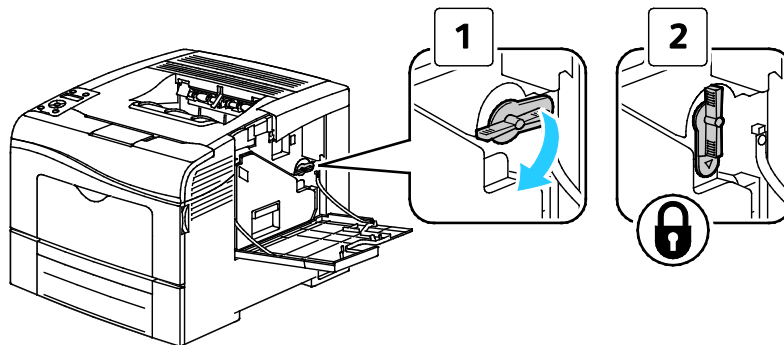


10. Reinsert the waste cartridge.



Note: If the waste cartridge does not fit into place properly, ensure that the belt is inserted fully.

11. To lock the waste cartridge, turn the waste cartridge lock lever 90-degrees clockwise.



12. Close the side door.

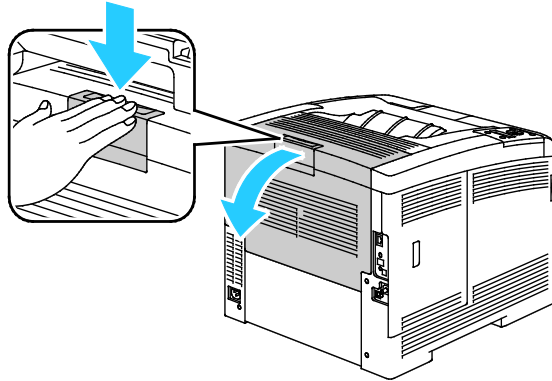
Cleaning the Color Toner Density Sensors

1. Turn off the printer.

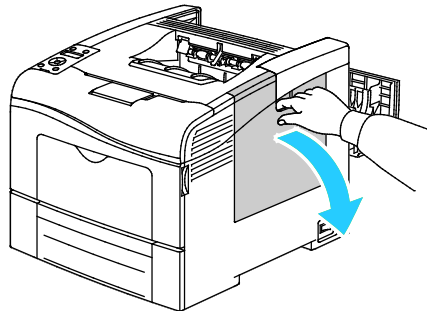


CAUTION: If the optional Productivity Kit (HD) is not installed, ensure that the Ready LED is off before you turn off the printer. The data in the memory is cleared when the printer is turned off.

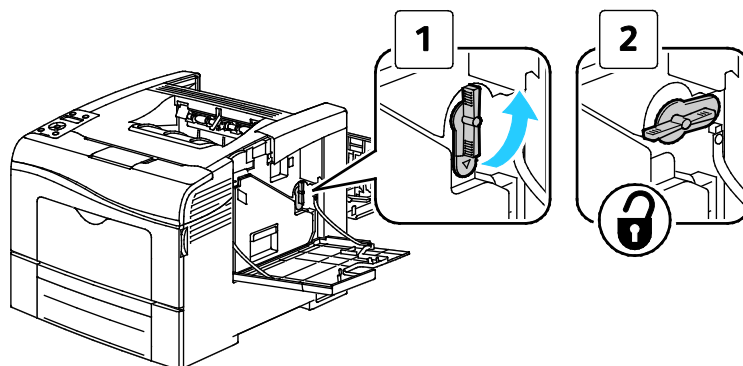
2. Push down on the rear door release and pull open the door.



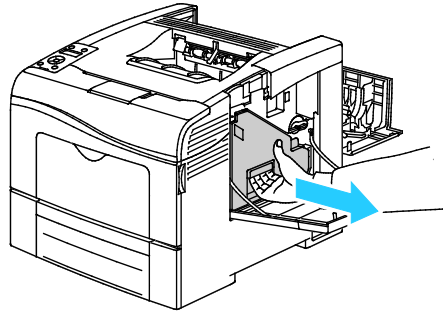
3. Open the side door.



4. To unlock the waste cartridge, turn the waste cartridge lever 90-degrees counterclockwise.

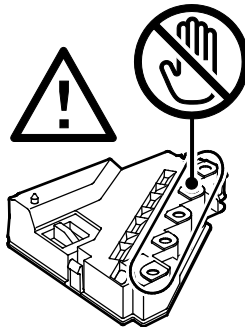


5. Grasp the handle of the waste cartridge, then pull it out. To prevent toner spills, keep the openings facing up.

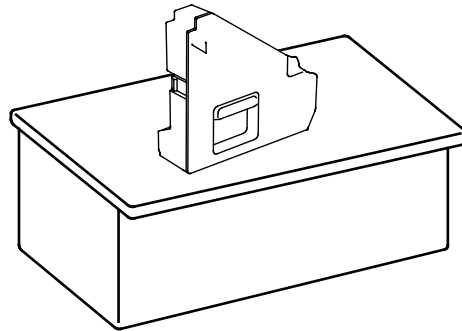


Notes:

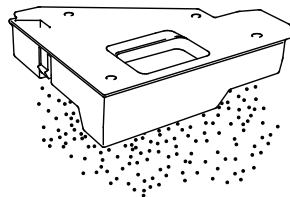
- Be careful not to spill toner when handling the waste cartridge.
- After removing the waste cartridge, do not touch the area shown in the illustration.



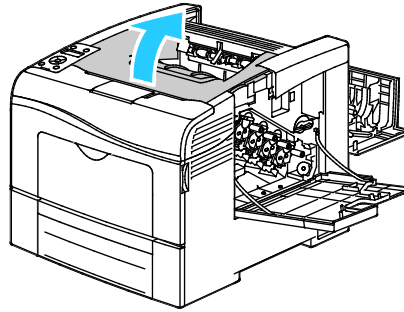
6. Place the removed waste cartridge on a level surface.



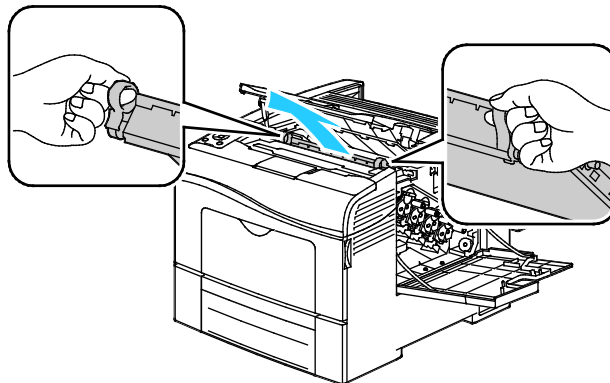
CAUTION: To avoid toner spills or malfunction, do not lay the waste cartridge on its side.



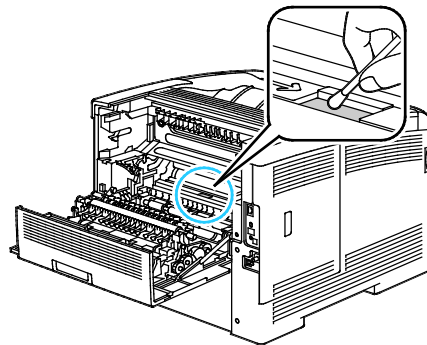
7. Open the top cover.



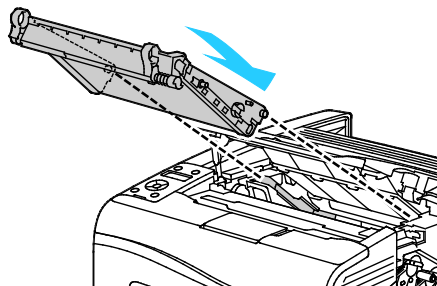
8. Put your fingers through the loops on both sides of the transfer belt unit, then pull it out.



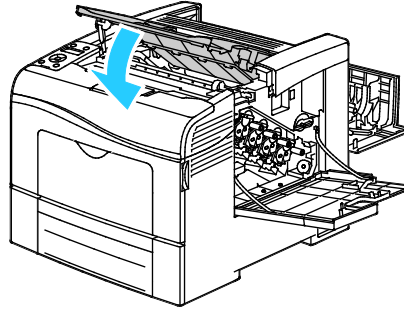
9. Use a dry cotton swab to clean the color toner density sensors.



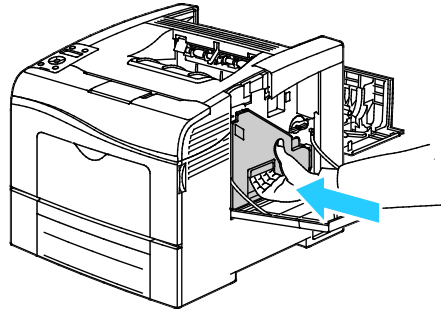
10. Reinsert the belt unit into the printer.



11. Close the top cover.

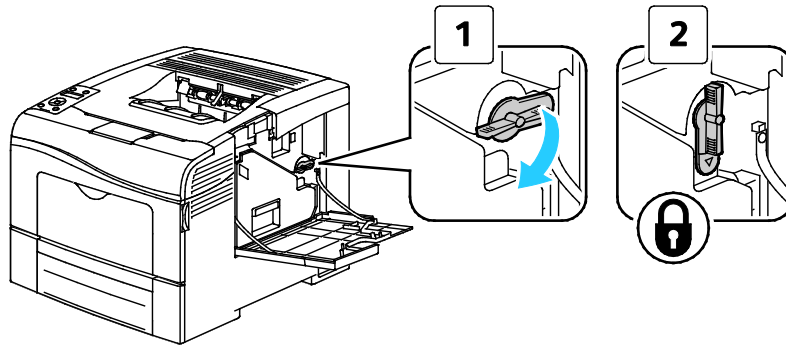


12. Reinsert the waste cartridge.

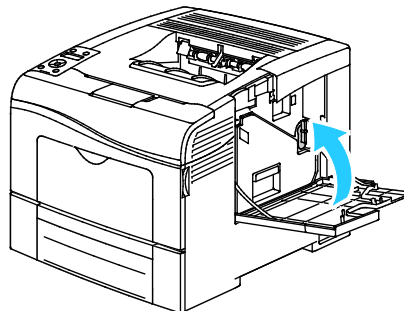


Note: If the waste cartridge does not fit into place properly, ensure that the belt is inserted fully.

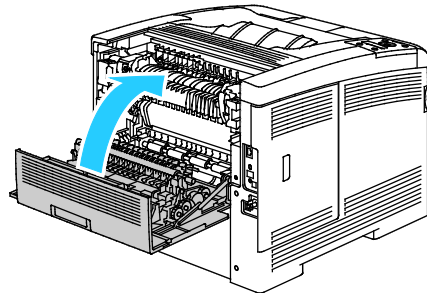
13. To lock the waste cartridge, turn the waste cartridge lock lever 90-degrees clockwise.



14. Close the side door.



15. Close the rear door.



Adjustments and Maintenance Procedures

This section includes:

- [Color Registration](#) 122

Color Registration

The printer automatically adjusts the color registration when automatic adjustment is turned on. You can also adjust color registration manually any time the printer is idle. You must adjust the color registration any time the printer is moved. If you are having printing problems, adjust the color registration.

Setting Automatic Color Registration

1. At the printer control panel, press the **Menu** button.
Note: To navigate through the menu, use the **Up** or **Down** arrow buttons.
2. Navigate to **Admin Settings**, then press **OK**.
3. Navigate to **Service Tools**, then press **OK**.
4. Select **Auto Regi Adjust**, then press **OK**.
5. Select **On**, then press **OK**.

Performing an Automatic Color Registration Adjustment

Automatic color registration adjustment occurs every time a new toner cartridge is installed. You can run this adjustment at other times as needed.

To perform an automatic color registration adjustment:

1. At the printer control panel, press the **Menu** button.
Note: To navigate through the menu, use the **Up** or **Down** arrow buttons.
2. Navigate to **Admin Settings**, then press **OK**.
3. Navigate to **Service Tools**, then press **OK**.
4. Select **Adjust Color Regi**, then press **OK**.
5. At **Auto Adjust**, press **OK**.
6. At the **Are you sure?** prompt, press the **Up** or **Down** arrows to select **Yes**, then press **OK**.
7. To begin the calibration, press **OK**.

Performing a Manual Color Registration Adjustment

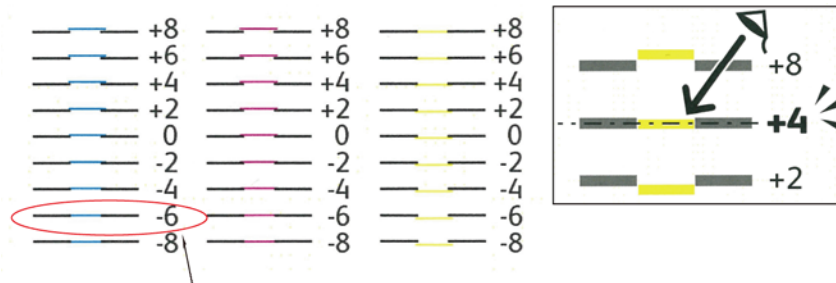
Color Registration adjusts the printer to make corrections to blurry or hazy prints, or prints with color halos.

To perform a color registration adjustment:

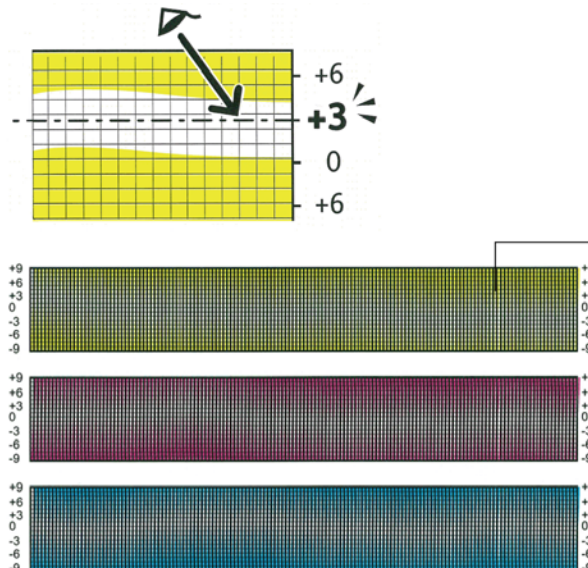
1. At the printer control panel, press the **Menu** button.

Note: To navigate through the menu, use the **Up** or **Down** arrow buttons.

2. Navigate to **Admin Settings**, then press **OK**.
3. Navigate to **Service Tools**, then press **OK**.
4. To print a registration chart, navigate to **Color Reg Chart**, then press **OK** twice.
5. Starting with the left side calibration lines, circle the line in each group where the color bar aligns with the adjacent black bars.



6. Repeat the process for the right side calibration lines, RY, RM, and RC.
7. Align a straight edge through the middle of the white zone in each of the PY, PM, and PC charts. Circle the number at the end of each chart that represents the middle of the white zone.



8. Navigate to **Enter Number**.
9. To enter values for each LY, LM, and LC field, use the **Up** and **Down** arrow buttons. Adjust the value to what you circled for each field, then press **OK**.
10. Repeat step 9 to enter values for each RY, RM, and RC field, and each PY, PM, and PC fields.
11. Print another Registration Chart, then repeat the process until you complete the color registration corrections.

Ordering Supplies

This section includes:

- [Consumables](#) 125
- [Routine Maintenance Items](#) 125
- [When to Order Supplies](#) 126
- [Viewing Printer Supply Status](#) 126
- [Recycling Supplies](#) 126
- [Toner Cartridges](#) 127

Consumables

Consumables are printer supplies that get depleted during the operation of the printer. Consumable supplies for this printer are the Genuine Xerox® Toner Cartridges in Cyan, Magenta, Yellow, and Black.

Notes:

- Each consumable includes installation instructions.
- Install only new cartridges in your printer. If a used toner cartridge is installed, then the toner remaining amount displayed could be inaccurate.
- To ensure print quality, the toner cartridge has been designed to cease functioning at a predetermined point.



CAUTION: Use of toner other than genuine Xerox® Toner can affect print quality and printer reliability. Xerox® Toner is the only toner designed and manufactured under strict quality controls by Xerox for specific use with this printer.

Routine Maintenance Items

Routine maintenance items are printer parts that have a limited life and require periodic replacement. Replacements can be parts or kits. Routine maintenance items are typically customer replaceable.

Note: Each routine maintenance item includes installation instructions.

Routine maintenance items for this printer include the following:

- Imaging Unit Kit
- Waste Cartridge
- Fuser
- Transfer Unit Kit

When to Order Supplies

A warning appears on the control panel when supplies near their replacement time. Verify that you have replacements on hand. It is important to order these items when the messages first appear to avoid interruptions to your printing. An error message appears on the control panel when supplies must be replaced.

Order supplies from your local reseller or go to www.xerox.com/office/6600supplies.



CAUTION: Use of non-Xerox® supplies is not recommended. The Xerox® Warranty, Service Agreement, and Total Satisfaction Guarantee do not cover damage, malfunction, or degradation of performance caused by use of non-Xerox® supplies, or the use of Xerox® supplies not specified for this printer. The Total Satisfaction Guarantee is available in the United States and Canada. Coverage could vary outside these areas. Please contact your Xerox representative for details.

Viewing Printer Supply Status

You can check the status and percentage of life remaining for your printer supplies at any time using CentreWare Internet Services.

1. At your computer, open a Web browser, type the IP address of the printer in the address field, then press **Enter** or **Return**.

Note: For details, see [Finding the IP Address on the Control Panel](#) on page 43.

2. Select the **Status** tab.
3. In the top-left corner of the Status page, under Status, click **Consumables**.

Recycling Supplies

For more information on the Xerox® supplies recycling program, go to: www.xerox.com/gwa.

Toner Cartridges

This section includes:

- [General Precautions](#) 127
- [Replacing a Toner Cartridge](#)..... 127

General Precautions



WARNINGS:

- When replacing a toner cartridge, be careful not to spill the toner. If any toner spills, avoid contact with clothes, skin, eyes, and mouth. Do not inhale the toner dust.
- Keep toner cartridges out of the reach of children. If a child accidentally swallows toner, have the child spit out the toner, and rinse out their mouth with water. Consult a physician immediately.



WARNING: Use a damp cloth to wipe off spilled toner. Never use a vacuum cleaner to remove spills. Electric sparks inside the vacuum cleaner can cause a fire or explosion. If you spill a large volume of toner, contact your local Xerox representative.



WARNING: Never throw a toner cartridge into an open flame. Remaining toner in the cartridge can catch fire and cause burn injuries or an explosion.

Replacing a Toner Cartridge

When a toner cartridge reaches its usable life span, the control panel displays a message. Job Tracker displays the toner status in the Printer Status window. When a toner cartridge is empty, the printer stops and displays messages on the control panel and in the Job Tracker Printer Status window.

Install only new cartridges in your printer. If a used toner cartridge is installed, then the toner remaining amount displayed could be inaccurate.

Note: Each toner cartridge includes installation instructions.

| Printer Status Message | Cause and Solution |
|---|---|
| Printer Toner Cartridge is Close to Life. | The toner cartridge is low. Order a new toner cartridge. |
| Replace the toner cartridge or check that the toner cartridge is properly seated. | The toner cartridge is empty. Replace the toner cartridge with a new one. |

Managing the Printer

This section includes:

- [Checking Page Counts](#) 128
- [Changing the Passcode Using the Control Panel](#) 129

Checking Page Counts

Use Billing Meters to view impression count details for the printer. The current counts for color, black and white, and combined total impressions appear on the Billing Meters screen. The impression counts shown are used for billing. A page is one side of a sheet of paper that can be printed on one or two sides. A sheet printed on two sides counts as two impressions.

You can check the total number of printed pages on the Configuration Report. It lists the print volume by the total number of pages printed.

Viewing Billing Meters

1. At the printer control panel, press the **Menu** button.
Note: To navigate through the menu, use the **Up** or **Down** arrow buttons.
2. Navigate to **Billing Meters**, then press **OK**.
3. To select a billing meter, use the **Up** or **Down** arrow buttons.

Printing the Configuration Report

1. At the printer control panel, press the **Menu** button.
Note: To navigate through the menu, use the **Up** or **Down** arrow buttons.
2. Navigate to **Information Pages**, then press **OK**.
3. Navigate to **Configuration Report**, then press **OK**.

Changing the Passcode Using the Control Panel

1. At the printer control panel, press the **Menu** button.
Note: To navigate through the menu, use the **Up** or **Down** arrow buttons.
2. Navigate to **Admin Settings**, then press **OK**.
3. Navigate to **Secure Settings**, then press **OK**.
4. Navigate to **Panel Lock**, then press **OK**.
5. Navigate to **Change Passcode**, then press **OK**.
6. When prompted, enter your four-digit password, then press **OK**.
7. At the prompt, re-enter the passcode, then press **OK**.

Moving the Printer



WARNINGS:

- Always use at least two people to lift the printer.
- To prevent you from dropping the printer or injury, lift the printer firmly by gripping the recessed areas on both sides of the printer. Never lift the printer by gripping any other areas.
- If the optional 550-Sheet Feeder has been installed, uninstall it before moving the printer. If the optional 550-Sheet Feeder is not fixed securely to the printer, it could fall to the ground and cause injuries.

Follow these instructions when moving the printer:

1. Turn off the printer and disconnect the power cord and other cables from the back of the printer.

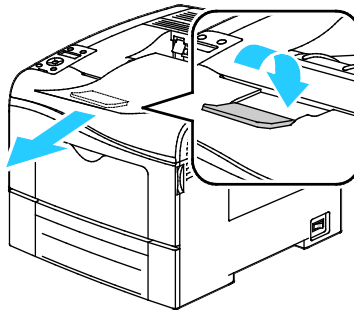


CAUTION: If the optional Productivity Kit (HD) is not installed, ensure that the Ready LED is off before you turn off the printer. The data in the memory is cleared when the printer is turned off.

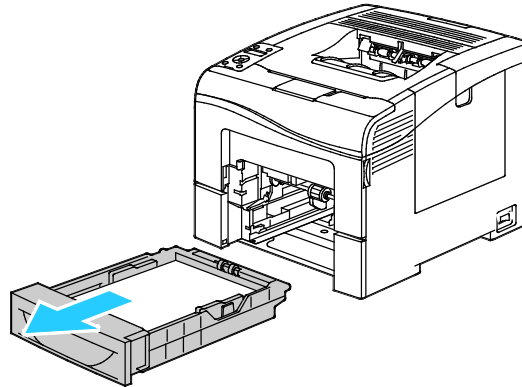


WARNING: To prevent electric shock, never touch the power plug with wet hands. When removing the power cord, ensure that you pull the plug and not the cord. Pulling the cord can damage it, which can lead to fire or electric shock.

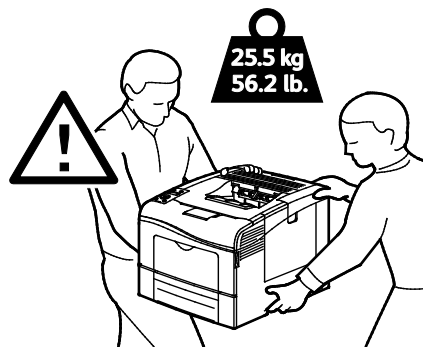
2. Remove any paper or other media from the output tray. If the output tray extension is extended, close it.



3. Remove the paper from the paper tray.
4. Keep the paper wrapped and away from humidity and dirt.



5. Lift and carry the printer as shown in the illustration.



CAUTION: Failure to repackage the printer properly for shipment can result in damage not covered by the Xerox® Warranty, Service Agreement, or Total Satisfaction Guarantee. The Xerox® Warranty, Service Agreement, or Total Satisfaction Guarantee do not cover damage to the printer caused by improper moving.

When moving the printer, do not tilt it more than 10 degrees to the front, back, left, or right. Tilting the printer more than 10 degrees can cause toner spillage.

Note: When moving the printer over a long distance, remove the imaging units and toner cartridges to prevent toner from spilling. Pack the printer inside a box. For a repacking kit and instructions, go to www.xerox.com/office/6600support.

After moving the printer:

1. Reinstall any parts you removed.
2. Reconnect the printer to the cables and power cord.
3. Plug in and turn on the printer.

Troubleshooting

7

This chapter includes:

- [General Troubleshooting](#) 134
- [Paper Jams](#) 138
- [Getting Help](#) 157

General Troubleshooting


This section includes:

- [Printer Does Not Turn On](#) 134
- [Printer Resets or Turns Off Frequently](#)..... 134
- [Printer Does Not Print](#)..... 135
- [Printing Takes Too Long](#) 136
- [Document Prints From Wrong Tray](#)..... 136
- [Automatic 2-Sided Printing Problems](#) 136
- [Printer is Making Unusual Noises](#)..... 137
- [Paper Tray Will Not Close](#)..... 137
- [Condensation has Formed Inside the Printer](#) 137

This section contains procedures to help you locate and resolve problems. Resolve some problems by simply restarting the printer.

Printer Does Not Turn On

| Probable Causes | Solutions |
|---|---|
| The power switch is not turned on. | Turn on the switch. |
| The power cord is not correctly plugged into the outlet. | Turn off the printer power switch, and plug the power cord securely into the outlet. |
| Something is wrong with the outlet connected to the printer. | <ul style="list-style-type: none"> • Plug another electrical appliance into the outlet and see if it operates properly. • Try a different outlet. |
| The printer is connected to an outlet with a voltage or frequency that does not match the printer specifications. | Use a power source with the specifications listed in the Electrical Specifications on page 167. |

 **CAUTION:** Plug the three-wire cord with grounding prong directly into a grounded AC outlet.

Printer Resets or Turns Off Frequently

| Probable Causes | Solutions |
|--|--|
| The power cord is not plugged into the outlet correctly. | Turn off the printer, confirm that the power cord is plugged in correctly to the printer and the outlet, then turn on the printer. |

| Probable Causes | Solutions |
|---|---|
| A system error occurred. | Turn off the printer, then turn it on again. Print the Error History from the Information Pages of the Printer Setting Utility. If the error persists, contact your Xerox representative. |
| The printer is connected to an uninterruptible power supply. | Turn off the printer, then connect the power cord to a suitable outlet. |
| The printer is connected to a power strip shared with other high-power devices. | Plug the printer directly into the outlet or into a power strip that is not shared with other high-power devices. |

Printer Does Not Print

| Probable Causes | Solutions |
|--|---|
| The printer is in Energy Saver mode. | Push the control panel button. |
| The printer has an error. | Follow the instructions on the control panel to clear the error. If the error persists, contact your Xerox representative. |
| The printer is out of paper. | Load paper into the tray. |
| A toner cartridge is empty. | Replace the empty toner cartridge. |
| The Error Indicator is blinking. | If the Ready Indicator is off, the printer has stopped working. Turn off the printer, then turn it on again. If the error persists, contact your Xerox representative. |
| Both control panel indicators are off. | Turn off the printer, confirm that the power cord is plugged in correctly to the printer and the outlet, then turn on the printer. If the error persists, contact your Xerox representative. |
| The printer is busy. | <ul style="list-style-type: none"> • If the Ready Indicator is flashing, it is normal. A previous print job could be the problem. Use the printer properties to delete all print jobs in the print queue. • Load the paper in the tray. • If the Ready Indicator is not flashing after you send a print job, check the USB connection between the printer and the computer. Turn off the printer, then turn it on again. |
| The printer cable is disconnected. | <ul style="list-style-type: none"> • If the Ready Indicator is not flashing after you send a print job, check the USB connection between the printer and the computer. • If the Ready Indicator is not flashing after you send a print job, check the Ethernet connection between the printer and the computer. |

Printing Takes Too Long

| Probable Causes | Solutions |
|---|--|
| The printer is set to a slower printing mode, for example, for printing on glossy or heavyweight paper. | It takes more time to print on certain types of special paper. Ensure that the paper type is set properly in the driver and at the printer control panel. For details, see Print Speed on page 168. |
| The printer is in Energy Saver mode. | Wait. It takes time for printing to start when the printer is coming out of Energy Saver mode. |
| The way the printer was installed on the network could be an issue. | Determine if a print spooler or a computer sharing the printer is buffering all print jobs and then spooling them to the printer. Spooling can slow print speeds. To test the speed of the printer, print some information pages such as the Office Demo Page. If the page does not print at the rated speed of the printer, you could have a network or printer installation issue. |
| The job is complex. | Wait. No action needed. |
| The print-quality mode in the driver is set to Enhanced. | Change the print-quality mode in the print driver to Standard. |
| The printer quality is set to Photo and the printer is being used for complex, 2-sided print jobs. | Increase memory size to 768 MB RAM by installing the Productivity Kit (Memory). |

Document Prints From Wrong Tray

| Probable Causes | Solutions |
|--|--|
| Application and print driver have conflicting tray selections. | <ol style="list-style-type: none"> 1. Check the tray selected in the print driver. 2. Go to the page setup or printer settings of the application from which you are printing. 3. Set the paper source to match the tray selected in the print driver or set the paper source to Automatically Select. <p>Note: To have the print driver select the tray, set the tray used as the paper source to Auto Selection Enabled.</p> |

Automatic 2-Sided Printing Problems

| Probable Causes | Solutions |
|---------------------------------|---|
| Unsupported or incorrect paper. | Ensure that you are using a supported paper size and weight for 2-sided printing. Envelopes and labels cannot be used for 2-sided printing. For details, see Supported Standard Types and Weights for Automatic 2-Sided Printing on page 82 and Supported Standard Paper Sizes for Automatic 2-Sided Printing on page 83. |
| Incorrect setting. | In the print driver Properties, select 2-Sided Print on the Paper/Output tab. |

Printer is Making Unusual Noises

| Probable Causes | Solutions |
|---|--|
| There is an obstruction or debris inside the printer. | Turn off the printer and remove the obstruction or debris. If you cannot remove it, contact your Xerox representative. |

Paper Tray Will Not Close

| Probable Causes | Solutions |
|--------------------------------------|---|
| The paper tray does not fully close. | <ul style="list-style-type: none"> • The paper tray lift plate is not locked down. Push down on the paper stack at the back of the tray until it locks down. • Some debris or an object is blocking the tray. • The tray is hanging up on the table or shelf on which it is located. |

Condensation has Formed Inside the Printer

Moisture can condense inside a printer where the humidity is above 85 % or when a cold printer is located in a warm room. Condensation can form in a printer after it has been sitting in a cold room that is heated quickly.

| Probable Causes | Solutions |
|--|---|
| The printer has been sitting in a cold room. | Allow the printer to operate for several hours at room temperature. |
| The relative humidity of the room is too high. | <ul style="list-style-type: none"> • Reduce the humidity in the room. • Move the printer to a location where the temperature and relative humidity are within the operating specifications. |

Paper Jams

This section includes:

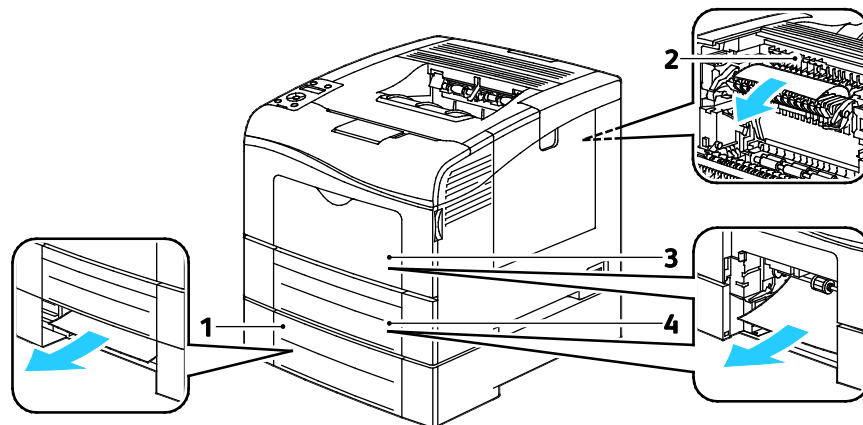
- [Locating Paper Jams](#) 138
- [Clearing Paper Jams](#) 139
- [Troubleshooting Paper Jams](#) 148
- [Print-Quality Problems](#)..... 150

Locating Paper Jams

WARNING: Never touch a labeled area on or near the heat roller in the fuser. You can get burned. If a sheet of paper is wrapped around the heat roller, do not try to remove it immediately. Switch off the printer immediately and wait 40 minutes for the fuser to cool. Try to remove the jam after the printer has cooled. If the error persists, contact your Xerox representative.

CAUTION: Do not attempt to clear any paper jams using tools or instruments. This can permanently damage the printer.

The following illustration shows where paper jams can occur along the paper path:



1. Tray 2
2. Fuser
3. Bypass Tray
4. Tray 1

Clearing Paper Jams

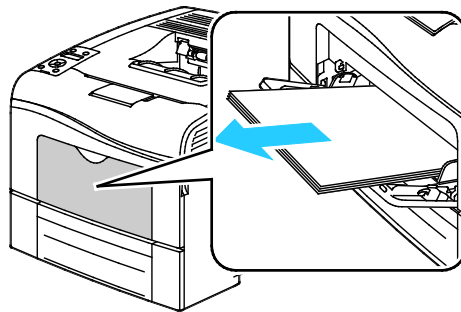
This section includes:

- [Clearing Paper Jams from the Bypass Tray](#) 139
- [Clearing Paper Jams from the Tray 1 Area](#) 141
- [Clearing Paper Jams from the Tray 2 Area](#) 143
- [Clearing Paper Jams from the Fuser Area](#) 145

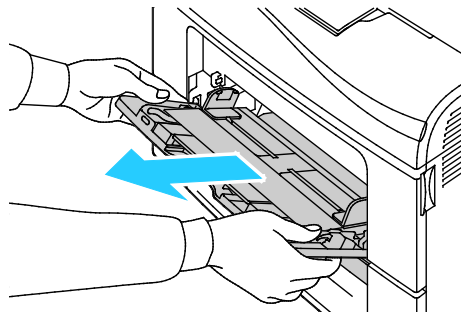
Clearing Paper Jams from the Bypass Tray

To resolve the error displayed on the control panel you must clear all paper from the paper path.

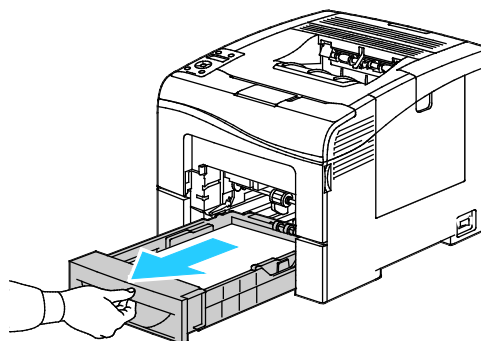
1. Remove any paper from the bypass tray.



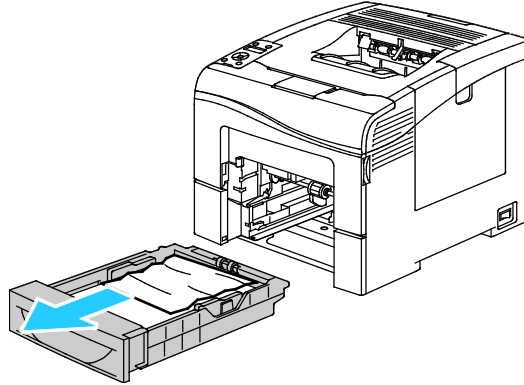
2. Grasp both sides of the Bypass Tray, then pull it straight out of the printer.



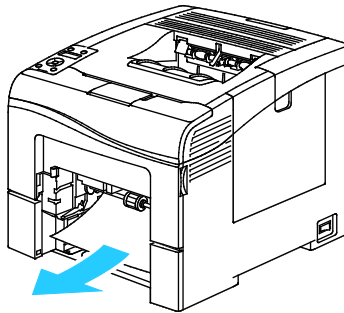
3. Pull out Tray 1 until it stops.



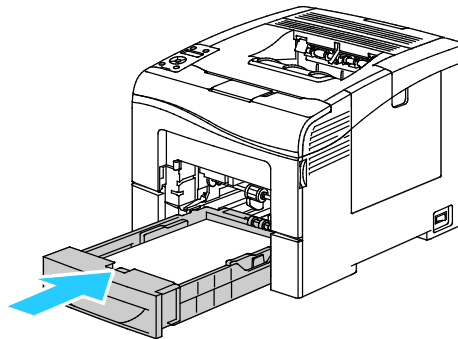
4. To remove the tray, lift the front of it slightly, then pull it out of the printer.



5. Remove the jammed paper.



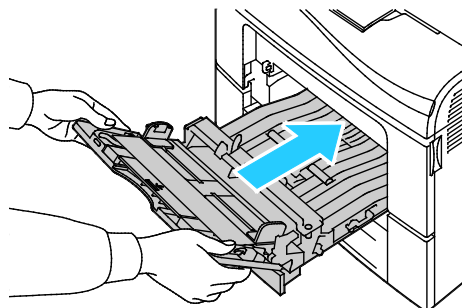
6. At the back of the paper tray, press the paper lift tray down until it locks.
7. Insert Tray 1 into the printer, then push it all the way in.



Notes:

- If the tray does not go all the way in, ensure that the paper lift at the back of the tray is locked down.
- If the tray is extended for legal size paper, the tray protrudes when it is inserted into the printer.

8. Insert the Bypass Tray into the printer.



9. Push the tray in all the way.

10. If the control panel prompts you, verify the size and type on the screen.

a. At the printer control panel, press the **Menu** button.

Note: To navigate through the menu, use the **Up** or **Down** arrow buttons.

b. Navigate to **Tray Settings**, then press **OK**.

c. Navigate to **Bypass Tray**, then press **OK**.

d. Navigate to **Tray Mode**, then press **OK**.

e. Navigate to **Panel Specified**, then press **OK**.

f. To return to the previous menu, press the **Left** arrow button.

g. Navigate to **Paper Size**, then press **OK**.

h. To select a setting, press the **Up** or **Down** arrow buttons, then press **OK**.

i. To return to the previous menu, press the **Left** arrow button.

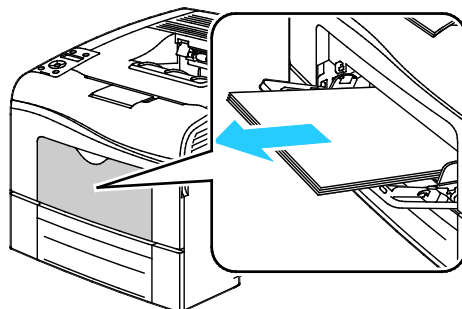
j. Navigate to **Paper Type**, then press **OK**.

k. To select a setting, press the **Up** or **Down** arrow buttons, then press **OK**.

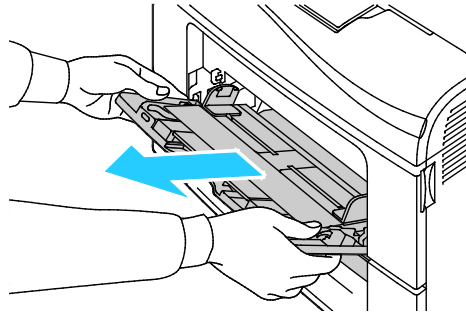
Clearing Paper Jams from the Tray 1 Area

To resolve the error displayed on the control panel you must clear all paper from the paper path.

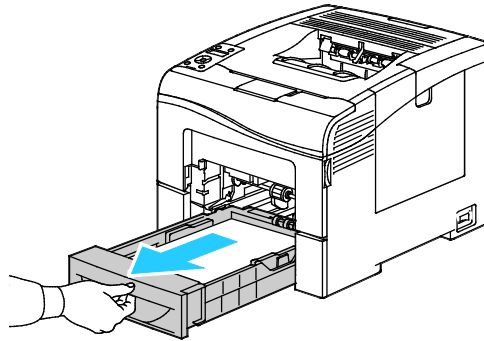
1. Remove any paper from the bypass tray.



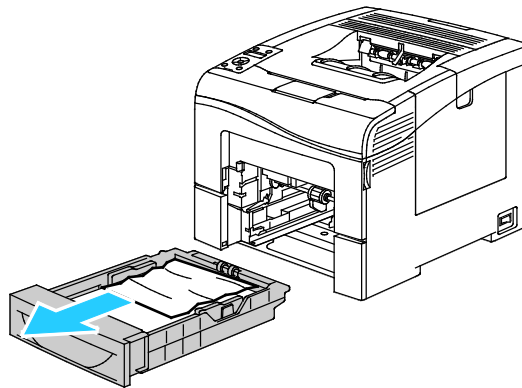
2. Grasp both sides of the Bypass Tray, then pull it straight out of the printer.



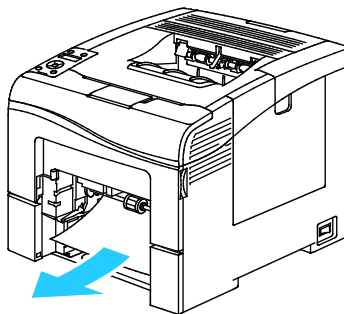
3. Pull out Tray 1 until it stops.



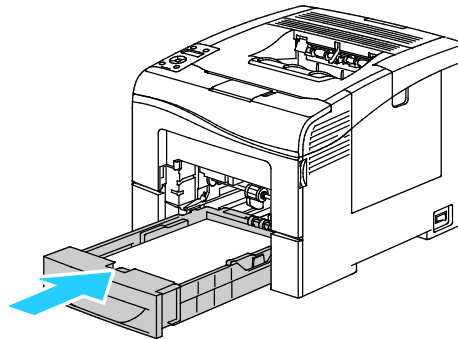
4. To remove the tray, lift the front of it slightly, then pull it out of the printer.



5. Remove the jammed paper.

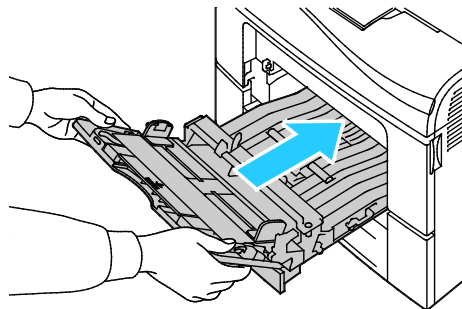


6. At the back of the paper tray, press the paper lift tray down until it locks.
7. Insert Tray 1 into the printer, then push it all the way in.



Notes:

- If the tray does not go all the way in, ensure that the paper lift at the back of the tray is locked down.
 - If the tray is extended for legal size paper, the tray protrudes when it is inserted into the printer.
8. Insert the Bypass Tray into the printer.



9. Push the tray in all the way.
10. If the control panel prompts you, verify the size and type on the screen.
 - a. At the printer control panel, press the **Menu** button.

Note: To navigate through the menu, use the **Up** or **Down** arrow buttons.

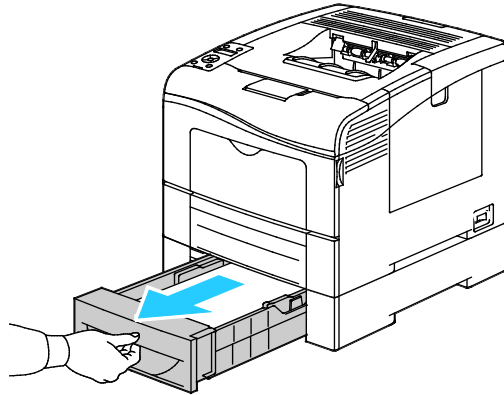
 - b. Navigate to **Tray Settings**, then press **OK**.
 - c. Navigate to the desired paper tray, then press **OK**.
 - d. Navigate to **Paper Size**, then press **OK**.
 - e. To select a setting, press the **Up** or **Down** arrow buttons, then press **OK**.
 - f. To return to the previous menu, press the **Left** arrow button.
 - g. Navigate to **Paper Type**, then press **OK**.
 - h. To select a setting, press the **Up** or **Down** arrow buttons, then press **OK**.

Clearing Paper Jams from the Tray 2 Area

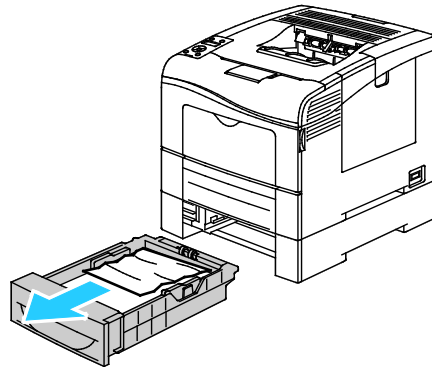
To resolve the error displayed on the control panel you must clear all paper from the paper path.

Troubleshooting

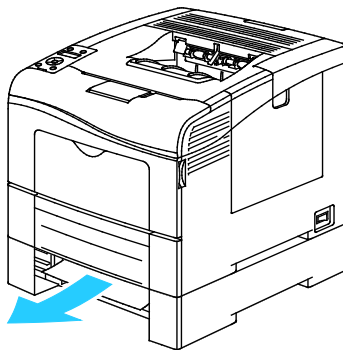
1. Pull Tray 2 out until it stops.



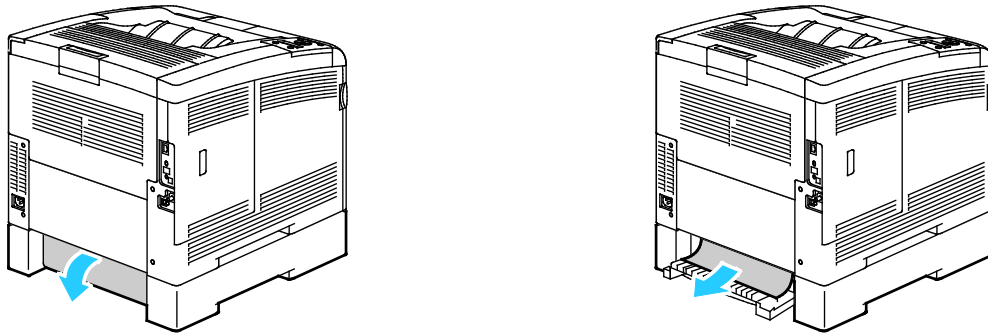
2. To remove the tray, lift the front of it slightly, then pull it out of the printer.



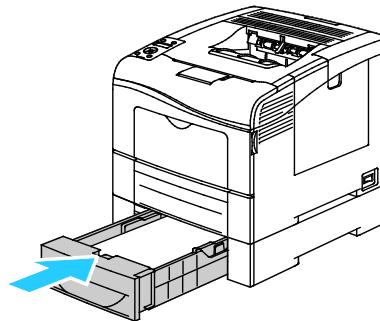
3. Remove any paper jammed at the front of the printer.



4. At the back of the printer, open the Tray 2 Door, then remove any paper jammed at the back of the printer.



5. Insert the tray back into the printer.



6. Push the tray in all the way.

Notes:

- If the tray does not go all the way in, ensure that the paper lift at the back of the tray is locked down.
- If the tray is extended for Legal size paper, the tray protrudes when it is inserted into the printer.

7. If the control panel prompts you, verify the size and type on the screen.
 - a. At the printer control panel, press the **Menu** button.

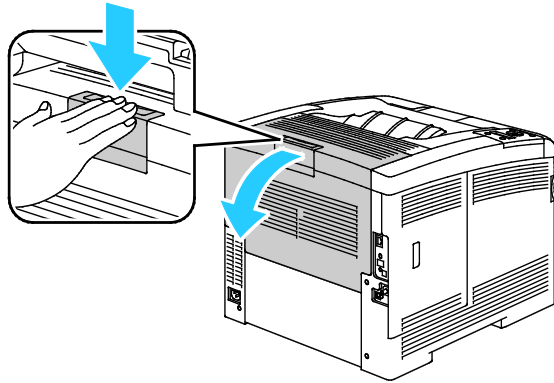
Note: To navigate through the menu, use the **Up** or **Down** arrow buttons.

- b. Navigate to **Tray Settings**, then press **OK**.
- c. Navigate to the desired paper tray, then press **OK**.
- d. Navigate to **Paper Size**, then press **OK**.
- e. To select a setting, press the **Up** or **Down** arrow buttons, then press **OK**.
- f. To return to the previous menu, press the **Left** arrow button.
- g. Navigate to **Paper Type**, then press **OK**.
- h. To select a setting, press the **Up** or **Down** arrow buttons, then press **OK**.

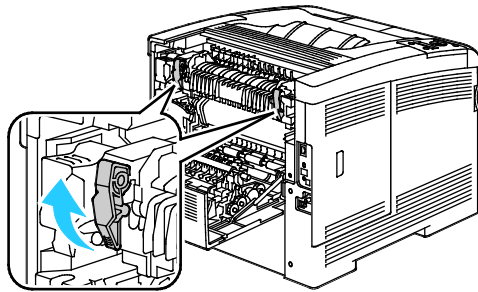
Clearing Paper Jams from the Fuser Area

To resolve the error displayed on the control panel you must clear all paper from the paper path.

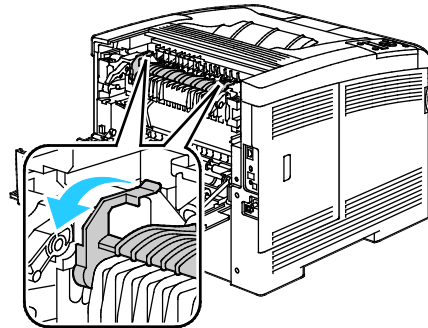
1. Push down on the rear door release and pull open the door.



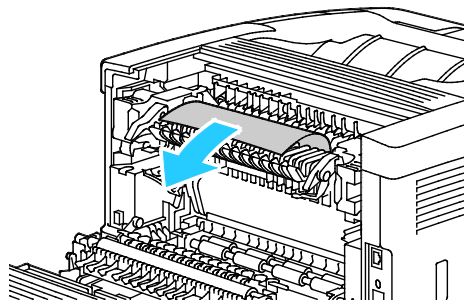
2. Lift the levers as shown.



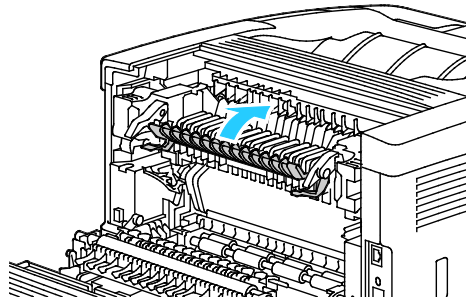
3. To lift the top paper guide on the top of the fuser, use the tabs to pull it up and out.



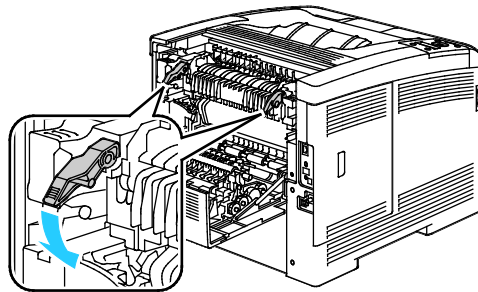
4. Remove any jammed paper from the back of the printer.



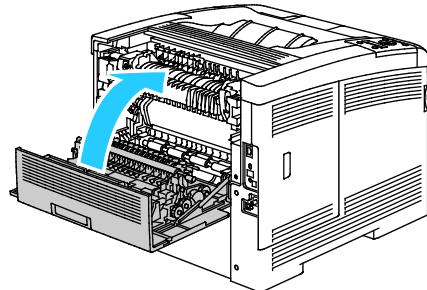
5. Close the paper guide cover on the fuser.



6. Lower the levers to their original position.



7. Close the rear door.



Troubleshooting Paper Jams

This section includes:

- [Multiple Sheets Pulled Together](#)..... 148
- [Paper Misfeeds](#) 148
- [Label and Envelope Misfeeds](#) 149
- [Paper Jam Message Stays On](#) 149
- [Jams During Automatic 2-Sided Printing](#)..... 149

Multiple Sheets Pulled Together

| Probable Causes | Solutions |
|---|--|
| The paper tray is too full. | Remove some of the paper. Do not load paper past fill line. |
| The edges of the paper are not even. | Remove the paper, align the edges, and then reload it. |
| The paper is moist from humidity. | Remove the paper from the tray, and replace it with new dry paper. |
| Too much static electricity is present. | Try a new ream of paper. |
| Using unsupported paper. | Use only Xerox®-approved paper. For details, see Supported Paper on page 80. |
| Humidity is too high for coated paper. | Feed paper one sheet at a time. |

Paper Misfeeds

| Probable Causes | Solutions |
|--|--|
| The paper is not correctly positioned in the tray. | <ul style="list-style-type: none"> • Remove the misfed paper and reposition it properly in the tray. • Adjust the paper guides in the tray to match the size of the paper. |
| The paper tray is too full. | Remove some of the paper. Do not load paper past the fill line. |
| The paper guides are not correctly adjusted to the paper size. | Adjust the paper guides in the tray to match the size of the paper. |
| The tray contains warped or wrinkled paper. | Remove the paper, smooth it out, and reload it. If it still misfeeds, do not use that paper. |
| The paper is moist from humidity. | Remove the moist paper and replace it with new, dry paper. |
| Using paper of the wrong size, thickness, or type. | Use only Xerox® approved paper. For details, see Supported Paper on page 80. |

Label and Envelope Misfeeds

| Probable Causes | Solutions |
|--|--|
| The label sheet is facing the wrong way in the tray. | <ul style="list-style-type: none"> Load label sheets according to the instructions from the manufacturer. Load labels only in the Bypass Tray, face up and with the top going into the printer. |
| Envelopes are loaded incorrectly. | <ul style="list-style-type: none"> Load No. 10, DL, and Monarch envelopes in the trays with the print side up, flaps closed, flap-side down and to the right. Load them with the short edge leading into the printer. Load C5 envelopes with the print side up, flaps open and facing away from the printer. |
| No. 10, DL, and Monarch envelopes are wrinkling. | <p>To prevent wrinkling on No. 10, DL, or Monarch envelopes, load them with the print side up, flaps open and facing away from the printer.</p> <p>Note: When you load envelopes long-edge feed, ensure that you specify landscape orientation in the print driver.</p> |

Paper Jam Message Stays On

| Probable Causes | Solutions |
|---|---|
| Some paper remains jammed in the printer. | Recheck the media path and make sure that you have removed all of the jammed paper. |
| One of the printer doors is open. | Check the doors on the printer. Close any door that is open. |

Note: Check for, and remove, torn pieces of paper in the paper path.

Jams During Automatic 2-Sided Printing


| Probable Causes | Solutions |
|--|--|
| Using paper of the wrong size, thickness, or type. | Use paper of the correct size, thickness, or type. For details, see Supported Paper Sizes for Automatic 2-Sided Printing on page 83. |
| Paper is loaded in the wrong tray. | The paper must be loaded in the correct tray. For details, see Supported Paper on page 80. |
| Tray is loaded with mixed paper. | Load the tray with only one type and size of paper. |

Print-Quality Problems

This section includes:

- [Controlling Print Quality](#) 150
- [Solving Print-Quality Problems](#)..... 151

Your printer is designed to produce consistently high-quality prints. If you observe print-quality problems, use the information in this section to troubleshoot the problem. For more information, go to www.xerox.com/office/6600support.

 **CAUTION:** The Xerox® Warranty, Service Agreement, or Xerox® Total Satisfaction Guarantee does not cover damage caused by using unsupported paper or specialty media. The Xerox® Total Satisfaction Guarantee is available in the United States and Canada. Coverage could vary outside these areas. Please contact your local representative for details.

Notes:

- To ensure consistent print quality, the toner cartridges and imaging units for many models of equipment are designed to cease functioning at a predetermined point.
- Grayscale images printed with the composite black setting increment the color pages counter, because color consumables are used. Composite black is the default setting on most printers.

Controlling Print Quality

Various factors can affect the quality of the output of your printer. For consistent and optimum print quality, use paper designed for your printer, and correctly set the Print-Quality Mode and Color Adjustments. Follow the guidelines in this section to maintain optimum print quality from your printer.

Temperature and humidity affect the quality of the printed output. The guaranteed range for optimal print quality is: 15–28°C (59–82°F) and 20–70% relative humidity.

Paper and Media

Your printer is designed to use various paper and other media types. Follow the guidelines in this section for the best print quality and to avoid jams:

- Use only Xerox® approved paper. For details, see [Supported Paper](#) on page 80.
- Use only dry, undamaged paper.



CAUTION: Some paper and other media types can cause poor output quality, increased paper jams, or damage your printer. Do not use the following:

- Rough or porous paper
 - Inkjet paper
 - Non-laser glossy or coated paper
 - Paper that has been photocopied
 - Paper that has been folded or wrinkled
 - Paper with cutouts or perforations
 - Stapled paper
 - Envelopes with windows, metal clasps, side seams, or adhesives with release strips
 - Padded envelopes
 - Plastic media
- Ensure the paper type selected in your print driver matches the paper type on which you are printing.
 - If you have the same size paper loaded in more than one tray, ensure that the proper tray is selected in the print driver.
 - Store your paper and other media properly for optimum print quality. For details, see [Paper Storage Guidelines](#) on page 81.

Solving Print-Quality Problems

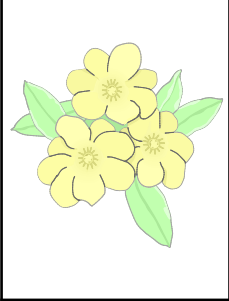


When the print quality is poor, select the closest symptom from the following table and see the corresponding solution to correct the problem. You can also print a Demo Page to more precisely determine the print-quality problem. For details, see [Information Pages](#) on page 23.

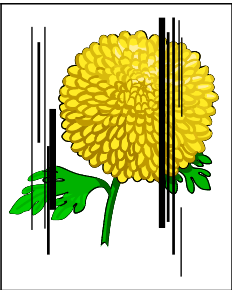
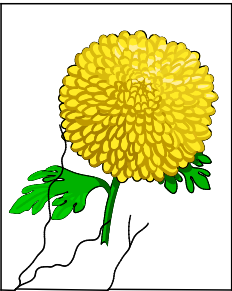
If the print quality does not improve after carrying out the appropriate action, contact your Xerox representative.

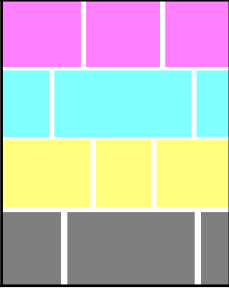

Notes:

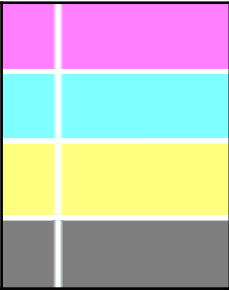
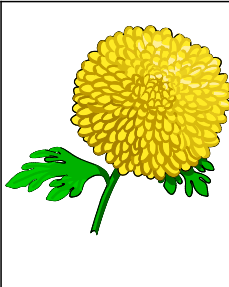

- To enhance print quality, toner cartridges for many models of equipment have been designed to cease functioning at a predetermined point.
- Grayscale images printed with the composite black setting increment the color pages counter, because color consumables are used. Composite black is the default setting on most printers.

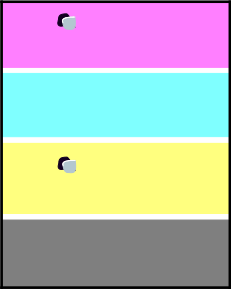
| Symptom | Probable Causes | Solutions |
|---|--|---|
| Faded printouts with multiple colors faded. | The toner cartridges are not Xerox® toner cartridges. | Verify that the toner cartridges meet specifications, and replace them if necessary. |
| | The paper being used is outside the recommended specification range. | Replace the paper with a recommended size and type, and confirm that your control panel and print driver settings are correct. For details, see Supported Paper on page 80. |

| Symptom | Probable Causes | Solutions |
|--|---|--|
|  | <p>The paper type is heavier or thicker than the paper type selection.</p> | <ul style="list-style-type: none"> • Ensure that the proper paper is loaded in the paper tray. • Choose a heavier paper type at the control panel and in the print driver. • Use a lighter paper or paper type. |
| | <p>The bias transfer voltage is not properly adjusted for the paper type.</p> | <p>Verify that the paper types set in the control panel and the print driver match the paper loaded in the tray.</p> |
| | <p>The settings in the application or print driver are incorrect.</p> | <p>Print the Demo Page from the Information Pages menu. If the Demo Page looks correct, the printer is printing properly. Your application or incorrect settings in the print driver are probably causing the print-quality problems.</p> |
| | <p>The paper is damp.</p> | <p>Replace the paper.</p> |
| | <p>The high-voltage supply is defective.</p> | <p>For assistance, go to the Xerox® Support website at www.xerox.com/office/6600support.</p> |
| <p>Only one color is faded.</p>  | <p>Toner cartridge is empty or damaged.</p> | <p>Check the condition of the toner cartridge and replace it if necessary.</p> |
| <p>Stray black dots or white areas (dropouts).</p>  | <p>The paper is outside the recommended specification range.</p> | <p>Replace the paper with a recommended size and type, and confirm that your control panel and print driver settings are correct. For details, see Supported Paper on page 80.</p> |
| | <p>There is debris on the rollers.</p> | <p>Wipe the feed rollers with a clean damp cloth to remove debris from the rollers. Note: Do not touch the transfer roller or the exposed end of the transfer belt.</p> |

| Symptom | Probable Causes | Solutions |
|---|---|---|
| | The toner cartridges are not Xerox® toner cartridges. | Ensure that the toner cartridges meet specifications and replace them if necessary. For details, see Consumables on page 125. |
| <ul style="list-style-type: none"> Vertical black or color streaks or multiple colored streaks or lines. Streaks in only one color.  | The toner cartridges are not Xerox® toner cartridges. | Ensure that the toner cartridges meet specifications and replace them if necessary. For details, see Consumables on page 125. |
| | Debris in the printer is dragging against the toner before it is fused. | Remove any debris or paper scraps from the paper path under the rear cover. |
| | There is a problem with the toner cartridge for that color. | Check the toner cartridge for damage and replace if necessary. For assistance, go to the Xerox® Support website at www.xerox.com/office/6600support . |
| Color around the edge of printing is incorrect. | The color registration is incorrect. | Adjust the color registration. For details, see Color Registration on page 122. |
| Partial blanks, creased paper, or blotted printing.  | The paper is damp. | Replace the paper. |
| | The paper is outside the recommended specification range. | Replace the paper with a recommended size and type. For details, see Supported Paper on page 80. |
| | The printer is worn or damaged. | For assistance, go to the Xerox® Support website at www.xerox.com/office/6600support . |
| | The toner cartridges are not Xerox® toner cartridges. | Verify that the toner cartridges meet specifications and replace if necessary. For details, see Consumables on page 125. |
| | The paper is impeded in the paper path. | <ul style="list-style-type: none"> Remove any paper or debris from the paper path. Ensure that the trays are pushed in all the way. Ensure that the rear cover is closed and locked. |

| Symptom | Probable Causes | Solutions |
|---|---|--|
| | Condensation inside the printer causes partial blanks or creased paper. | Turn on the printer and leave it on for at least one hour to get rid of the condensation. For assistance, go to the Xerox® Support website at www.xerox.com/office/6600support . |
| Vertical blanks appear.  | The lenses are blocked. | Clean the lenses in the inside of the printer. For details, see Cleaning the Laser Lenses on page 113. |
| | The printer is worn or damaged. | For assistance, go to the Xerox® Support website at www.xerox.com/office/6600support . |
| | The toner cartridges are not Xerox® toner cartridges. | Ensure that the toner cartridges meet specifications and replace if necessary. |
| White lines or streaks running through only one color.  | Something is blocking the lens for the affected color. | Clean the lens for the affected color. |

| Symptom | Probable Causes | Solutions |
|--|---|---|
| <p>White line or lines running through all colors.</p>  | <p>Paper or debris is dragging the bottom of the transfer belt.</p> | <ul style="list-style-type: none"> Remove the paper or debris from the printer. For assistance, go to the Xerox® Support website at www.xerox.com/office/6600support. |
| <p>Slanted printing.</p>  | <p>The paper guides in the trays are not set correctly.</p> | <p>Reset the paper tray guides. For details, see Loading Paper on page 84.</p> |
| <p>Colors are blurry or there is white area around objects.</p> | <p>Color-to-color alignment is not correct.</p> | <p>Perform an automatic color registration adjustment. For details, see Color Registration on page 122.</p> |
| <p>Blotchy or mottled images.</p>  | <p>The paper is too light or too thin.</p> | <p>Choose a different paper type in the at the control panel, in the application, and in the printer driver.</p> |
| | <p>The paper is damp.</p> | <p>Replace the paper.</p> |
| | <p>The humidity is too high.</p> | <p>Reduce the humidity in the room or move the printer to a new location.</p> |

| Symptom | Probable Causes | Solutions |
|--|--|---|
| <p>Spots or lines appear at regular intervals on the prints.</p>  | <p>One or more of the components in the paper path is marking the paper.</p> | <p>To determine the cause, measure the distance between the print defects.</p> <ul style="list-style-type: none"> • 75.3 mm (3 in.) - Imaging Unit • 28.3 mm (1.1 in.) - Imaging Unit • 31.1 mm (1.2 in.) - Imaging Unit • 32.3 mm (1.3 in.) - Imaging Unit • 25.1 mm (1 in.) - Transfer Belt • 56.5 mm (2.2 in.) - Transfer Roller • 82.3 mm (3.2 in.) - Fuser <p>If the repeating defects match one of these distances, replace that item.</p> |

Getting Help

This section includes:

- [Control Panel Messages](#) 157
- [Using the Integrated Troubleshooting Tools](#) 158
- [Online Support Assistant](#) 158
- [Information Pages](#) 158
- [More Information](#) 159

Your printer comes with utilities and resources to help you troubleshoot printing problems.

Control Panel Messages

The printer control panel provides information and troubleshooting help. When a fault or warning condition occurs, the control panel displays a message informing you of the problem. For many status and warning messages, the control panel Information provides additional information.

Viewing Warning Messages on the Control Panel

When a warning condition occurs, a message appears on the control panel to inform you of the problem. Warning messages inform you about printer conditions, such as low supplies or open doors, that require your attention. If more than one warning condition occurs, only one is displayed on the control panel.

Control Panel Help

When a fault occurs that stops the printing operation, such as a paper jam, a message appears on the screen.

Viewing Current Faults on the Control Panel

When a fault condition occurs, a message appears on the control panel to inform you of the problem. Fault messages warn you about printer conditions that prevent the printer from printing or degrade printing performance. If more than one fault occurs, only one is displayed on the control panel.

Viewing Job Status on the Control Panel

To view secure or saved jobs on the control panel:

1. To access the Walk-Up Features menu, click the **Left** arrow button.
2. Select an option:
 - To view a list of secure prints, navigate to **Secure Jobs**, then press **OK**.

- To view a list of saved jobs, navigate to **Saved Jobs**, then press **OK**.

To print a detailed list of last 20 print jobs that have been processed:

1. At the printer control panel, press the **Menu** button.
2. Navigate to **Information Pages**, then press **OK**.
3. Navigate to **Job History**, then press **OK**.

Using the Integrated Troubleshooting Tools

Your printer has a printable set of reports. Two of them, the Demo Page and the Error History report, can help with troubleshooting certain problems. The Demo Page prints an image using many colors to show the current ability of the printer to print. The Error History report prints information on the most recent printer errors.

Printing Reports

1. At the printer control panel, press the **Menu** button.
2. Navigate to **Information Pages**, then press **OK**.
3. To select a report, use the **Up** or **Down** arrow buttons, then press **OK**.

Specifying the Source Tray for Printing Reports

1. At the printer control panel, press the **Menu** button.
2. Navigate to **Tray Settings**, then press **OK**.
3. To determine the order in which the printer selects the tray for a print job, navigate to **Tray Priority**, then press **OK**.
4. To specify the first priority, use the **Up** or **Down** arrow buttons, then press **OK**. The second priority setting displays.
5. To accept the second priority, press **OK**.

Online Support Assistant

Online Support Assistant is a knowledge base that provides instructions and troubleshooting help to solve your printer problems. You can find solutions for print-quality problems, paper jams, software installation issues, and more.

To access the Online Support Assistant, go to www.xerox.com/office/6600support.

Information Pages

Your printer has a printable set of information pages. These include configuration and font information, demonstration pages, and more.

More Information

You can obtain more information about your printer from these sources:

| Resource | Location |
|---|---|
| <i>Installation Guide</i> | Packaged with the printer. |
| <i>Quick Use Guide</i> | Packaged with the printer. |
| Video Tutorials | www.xerox.com/office/6600docs |
| Recommended Media List | United States: www.xerox.com/paper Europe: www.xerox.com/europaper |
| Technical support information for your printer; includes online Technical Support, Online Support Assistant, and driver downloads. | www.xerox.com/office/6600support |
| Information Pages | Print from the control panel menu. |
| Order supplies for your printer | www.xerox.com/office/6600supplies |
| A resource for tools and information, including interactive tutorials, printing templates, helpful tips, and customized features to meet your individual needs. | www.xerox.com/office/businessresourcecenter |
| Local sales and support center | www.xerox.com/office/worldcontacts |
| Printer Registration | www.xerox.com/office/register |
| Xerox® Direct online store | www.direct.xerox.com/ |

Specifications



This appendix includes:

- [Printer Configurations and Options.....](#) 162
- [Physical Specifications](#) 163
- [Environmental Specifications.....](#) 166
- [Electrical Specifications](#) 167
- [Performance Specifications](#) 168
- [Controller Specifications.....](#) 169

Printer Configurations and Options

Available Configurations

The Phaser 6600 Color Printer is available in two configurations:

- Phaser 6600N Color Printer: Network printer with USB and network connectivity.
- Phaser 6600DN Color Printer: Network printer with automatic 2-sided printing, and USB and network connectivity.

Standard Features

The Phaser 6600 Color Printer provides the following features:

| Feature | Phaser 6600 Color Printer |
|---------------------|---|
| Print speed | <ul style="list-style-type: none"> • Standard and Enhanced modes up to 36 ppm • Photo mode up to 17 ppm |
| 2-Sided Print Speed | <ul style="list-style-type: none"> • Standard mode up to 24 images per minute • Enhanced mode up to 24 images per minute |
| Print resolution | Up to 600 x 600 x 4 dpi (1200 x 1200 enhanced image quality) |
| Paper capacity | <ul style="list-style-type: none"> • Bypass Tray • Tray 1 • Optional 550-Sheet Feeder |
| Maximum print size | Legal (216 x 356 mm, 8.5 x 14 in.) |
| 2-Sided Printing | Up to 163 g/m ² from any tray (Phaser 6600DN model only) |
| Control panel | Button-navigated menu with two-line display. |
| Connectivity | <ul style="list-style-type: none"> • Universal Serial Bus (USB 2.0) • Ethernet 10/100 Base-T • Wireless network connectivity: Optional |
| Remote access | CentreWare Internet Services |

Options and Upgrades

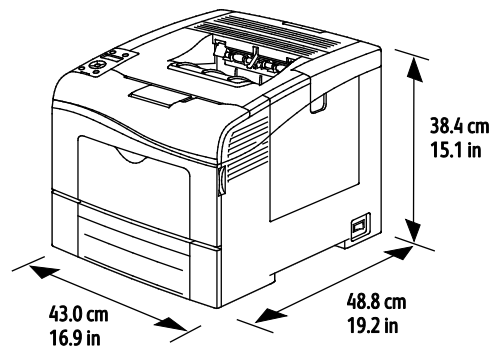
- Wireless Network Adapter
- 550-Sheet Feeder
- 160 GB+ Hard Disk - Productivity Kit (HD)
- 512 MB memory upgrade - Productivity Kit (Memory)

Physical Specifications

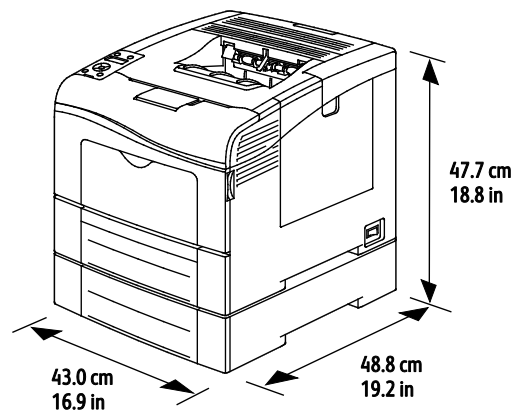
Weights and Dimensions

| | Phaser 6600DN Color Printer | Phaser 6600DN Color Printer with Optional 550-Sheet Feeder |
|--------|-----------------------------|--|
| Width | 430 mm (16.9 in.) | 430 mm (16.9 in.) |
| Depth | 488 mm (19.2 in.) | 488 mm (19.2 in.) |
| Height | 384 mm (15.1 in.) | 477 mm (18.8 in.) |
| Weight | 25.5 kg (56.2 lb.) | 28.1 kg (61.8 lb.) |

Standard Configuration



Configuration with Optional 550-Sheet Feeder

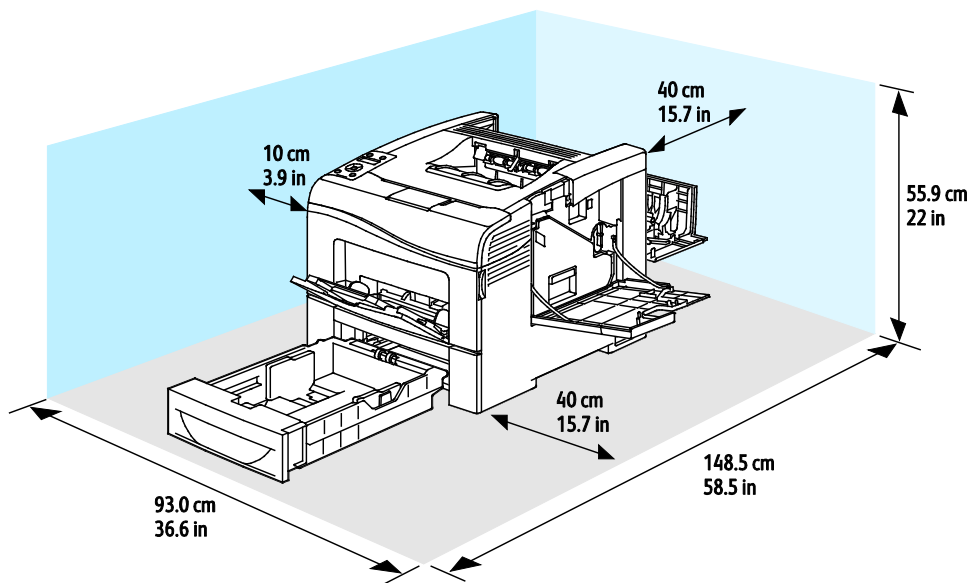


Total Space Requirements

| | Phaser 6600DN Color Printer | Phaser 6600DN Color Printer with Optional 550-Sheet Feeder |
|--------|-----------------------------|--|
| Width | 927 mm (36.4 in.) | 927 mm (36.4 in.) |
| Depth | 1488 mm (58.6 in.) | 1488 mm (58.6 in.) |
| Height | 559 mm (22 in.) | 652 mm (25.7 in.) |

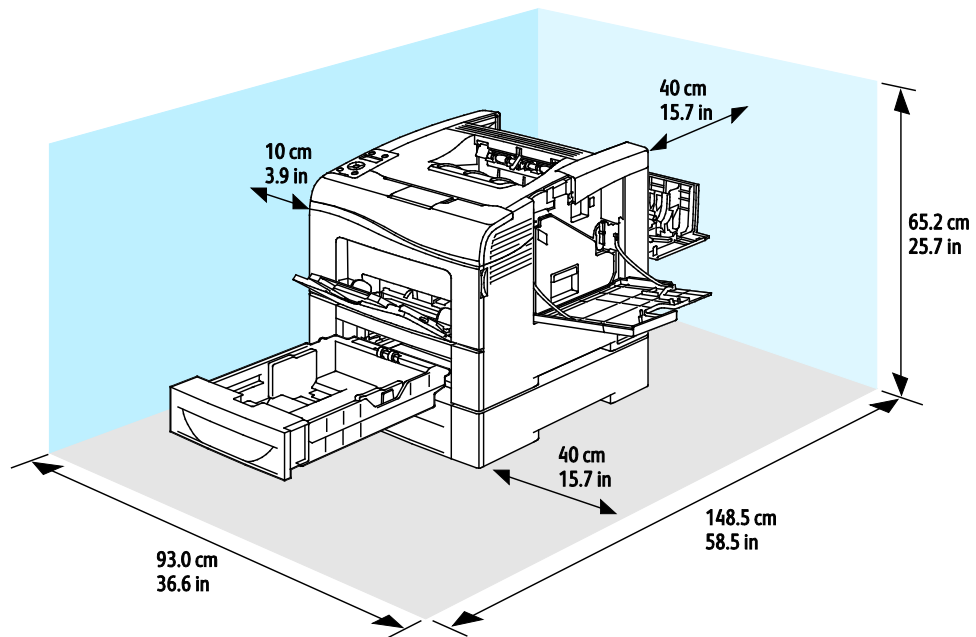
Clearance Requirements

Phaser 6600 Color Printer



Clearance Requirements with Optional 550-Sheet Feeder

Phaser 6600 Color Printer



Environmental Specifications

Temperature

- Operating temperature: 10–32°C (50–90°F)
- Optimum temperature: 15–28°C (59–82°F)

Relative Humidity

- Minimum–Maximum Humidity Range: 10–85 %
- Optimal Humidity Range: 20–70 % relative humidity at 28°C (82°F)

Note: Under extreme environmental conditions, such as 10°C and 85 % relative humidity, defects can occur due to condensation.

Elevation

For optimum performance, use the printer at elevations below 3100 m (10,170 ft.).

Electrical Specifications

Power Supply Voltage and Frequency

| Power Supply Voltage | Power Supply Frequency |
|-----------------------------------|----------------------------------|
| 110–127 VAC +/-10%, (99–140 VAC) | 50 Hz +/- 3 Hz 60 Hz +/- 3 Hz |
| 220–240 VAC +/-10%, (198–264 VAC) | 50 Hz +/- 3 Hz 60 Hz +/- 3 Hz |

Power Consumption

- Energy Saver Mode (Sleep): 4 W
- Ready (with fuser on): 65 W
- Continuous printing: 535 W

This printer does not consume electric power when the power switch is turned off even if the printer is connected to an AC outlet.

ENERGY STAR Qualified Product



The Phaser 6600DN Color Printer is ENERGY STAR[®] qualified under the ENERGY STAR Program Requirements for Imaging Equipment.

The ENERGY STAR and ENERGY STAR mark are registered United States trademarks.

The ENERGY STAR Imaging Equipment Program is a team effort between United States, European Union, and Japanese governments and the office equipment industry to promote energy-efficient copiers, printers, fax, multifunction printers, personal computers, and monitors. Reducing product energy consumption helps combat smog, acid rain, and long-term changes to the climate by decreasing the emissions that result from generating electricity.

Xerox[®] ENERGY STAR equipment is preset at the factory to switch to Energy Saver Modes after 10 minutes from the last copy or print.

Performance Specifications

| Feature | Specifications |
|----------------------|---|
| Printer warm up time | Power on: As fast as 12 seconds. Recovery from sleep mode: As fast as 3 seconds. Note: Warm up time assumes an ambient temperature of 20°C (68°F) at 60 % relative humidity. |

Print Speed

Print speeds for continuous printing are up to 36 ppm. Print speeds are the same for color or black and white printing.

Several factors affect print speed:

- **Print mode.** The fastest print modes are Standard and Enhanced. Photo mode prints at half speed. Photo mode prints 1-sided pages on Plain, Letter/A4 at 17 ppm.
- **Paper size.** Letter (8.5 x 11 in.) prints slightly faster than A4 (210 x 297 mm). Larger sizes reduce print speeds.
- **Paper type and weights.** For faster printing, use paper weights of 105 g/m² or less.

The maximum print speed for 1-sided printing is 36 ppm on Letter paper, and 35 ppm on A4 paper.

The maximum print speed for 2-sided printing is 24 ppm on Letter and A4 paper.

Photo mode prints 1-sided pages on Plain, Letter/A4 at 17 ppm.

Controller Specifications

Processor

533 MHz ARM11 processor

Memory

| Memory | Phaser 6600 Color Printer |
|------------------------------------|---------------------------|
| Standard memory | 256 MB RAM |
| Optional Productivity Kit (Memory) | 512 MB RAM (768 MB total) |
| Flash memory | 64 MB ROM |
| EEPROM | 48 KB EEPROM |

Interfaces

Universal Serial Bus (USB 2.0)

Ethernet 10/100/1000Base-TX

IEEE802.11 Compliant Wireless Network Adapter

Regulatory Information

B

This appendix includes:

- [Basic Regulations](#) 172
- [Material Safety Data Sheets](#) 175

Basic Regulations

Xerox has tested this printer to electromagnetic emission and immunity standards. These standards are designed to mitigate interference caused or received by this printer in a typical office environment.

United States FCC Regulations

This equipment has been tested and found to comply with the limits for a Class A digital device, pursuant to Part 15 of the FCC Rules. These limits are designed to provide reasonable protection against harmful interference when the equipment is operated in a commercial environment. This equipment generates, uses, and can radiate radio frequency energy. If it is not installed and used in accordance with these instructions, it may cause harmful interference to radio communications. Operation of this equipment in a residential area is likely to cause harmful interference in which case the user will be required to correct the interference at his/her own expense.

If this equipment does cause harmful interference to radio or television reception, which can be determined by turning the equipment off and on, the user is encouraged to try to correct the interference by one or more of the following measures:

- Reorient or relocate the receiving antenna.
- Increase the separation between the equipment and receiver.
- Connect the equipment into an outlet on a circuit different from that to which the receiver is connected.
- Consult the dealer or an experienced radio/TV technician for help.

Changes or modifications to this equipment not approved by Xerox can void the authority of the user to operate this equipment.

Note: To ensure compliance with Part 15 of the FCC rules, use shielded interface cables.

Canada

This Class A digital apparatus complies with Canadian ICES-003.

Cet appareil numérique de la classe A est conforme à la norme NMB-003 du Canada.

European Union



CAUTION: This is a Class A product. In a domestic environment, this product can cause radio interference in which case the user could be required to take adequate measures.



The CE mark applied to this product symbolizes a declaration of conformity by Xerox with the following applicable Directives of the European Union as of the dates indicated:

- December 12, 2006: Low Voltage Directive 2006/95/EC

- December 15, 2004: Electromagnetic Compatibility Directive 2004/108/EC

This printer, if used properly in accordance with the instructions, is not dangerous for the consumer or for the environment.

To ensure compliance with European Union regulations, use shielded interface cables.

A signed copy of the Declaration of Conformity for this printer can be obtained from Xerox.

European Union Lot 4 Imaging Equipment Agreement Environmental Information

Environmental Information Providing Environmental Solutions and Reducing Cost

Introduction

The following information has been developed to assist users and has been issued in relation to the European Union (EU) Energy Related Products Directive, specifically the Lot 4 study on Imaging Equipment. This requires manufacturers to improve environmental performance of in scope products and supports the EU action plan on energy efficiency.

In scope products are Household and Office equipment that meet the following criteria.

- Standard monochrome format products with a maximum speed less than 66 A4 images per minute
- Standard color format products with a maximum speed less than 51 A4 images per minute

Environmental Benefits of Duplex Printing

Most Xerox® products have duplex printing, also known as 2-sided printing, capability. This enables you to print on both sides of the paper automatically, and therefore helps to reduce the use of valuable resources by reducing your paper consumption. The Lot 4 Imaging Equipment agreement requires that on models greater than or equal to 40 ppm color or greater than or equal to 45 ppm monochrome the duplex function has been auto enabled, during the setup and driver installation. Some Xerox® models below these speed bands may also be enabled with 2-sided printing settings defaulted on at the time of install. Continuing to use the duplex function will reduce the environmental impact of your work. However, should you require simplex/1-sided printing, you may change the print settings in the print driver.

Paper Types

This product can be used to print on both recycled and virgin paper, approved to an environmental stewardship scheme, which complies with EN12281 or a similar quality standard. Lighter weight paper (60 g/m²), which contains less raw material and thus save resources per print, may be used in certain applications. We encourage you to check if this is suitable for your printing needs.

ENERGY STAR

The ENERGY STAR program is a voluntary scheme to promote the development and purchase of energy efficient models, which help to reduce environmental impact. Details on the ENERGY STAR program and models qualified to ENERGY STAR can be found at the following website:

www.energystar.gov/index.cfm?fuseaction=find_a_product.showProductGroup&pgw_code=IEQ

Power Consumption and Activation Time

The amount of electricity a product consumes depends on the way the device is used. This product is designed and configured to enable you to reduce your electricity costs. After the last print it switches to Ready Mode. In this mode it can print again immediately if required. If the product is not used for a period of time, the device switches to a Power Saver Mode. In these modes, only essential functions remain active in order to enable reduced product power consumption.

Upon exiting from Power Saver Mode, the first print will take slightly longer than in Ready Mode. This delay is the result of the system "waking up" from Power Saver mode and is typical of most imaging products on the market.

If you wish to set a longer Activation Time or would like to completely deactivate the Power Save Mode, please consider that this device may then only switch to a lower energy level after a longer period of time or not at all.

To learn more about Xerox participation in sustainability initiatives, please visit our website at: www.xerox.com/about-xerox/environment/enus.html

Germany

Blendschutz

Das Gerät ist nicht für die Benutzung im unmittelbaren Gesichtsfeld am Bildschirmarbeitsplatz vorgesehen. Um störende Reflexionen am Bildschirmarbeitsplatz zu vermeiden, darf dieses Produkt nicht im unmittelbaren Gesichtsfeld platziert werden.

Lärmemission

Maschinenlärminformations-Verordnung 3. GPSGV: Der höchste Schalldruckpegel beträgt 70 dB(A) oder weniger gemäß EN ISO 7779.

Importeur

Xerox GmbH
Hellersbergstraße 2-4
41460 Neuss
Deutschland

Turkey RoHS Regulation

In compliance with Article 7 (d), we hereby certify "it is in compliance with the EEE regulation."

"EEE yönetmeliğine uygundur."

Material Safety Data Sheets

For Material Safety Data information regarding your printer, go to:

- North America: www.xerox.com/msds
- European Union: www.xerox.com/environment_europe

For the Customer Support Center phone numbers, go to www.xerox.com/office/worldcontacts.

Recycling and Disposal



This appendix includes:

- All Countries 178
- North America 179
- European Union 180
- Other Countries 182

All Countries

If you are managing the disposal of your Xerox® product, please note that the printer may contain lead, mercury, perchlorate, and other materials whose disposal may be regulated due to environmental considerations. The presence of these materials is fully consistent with global regulations applicable at the time that the product was placed on the market. For recycling and disposal information, contact your local authorities. Perchlorate Material: This product may contain one or more Perchlorate-containing devices, such as batteries. Special handling may apply, please see www.dtsc.ca.gov/hazardouswaste/perchlorate.

North America

Xerox operates an equipment take-back and reuse/recycle program. Contact your Xerox representative (1-800-ASK-XEROX) to determine if this Xerox® product is part of the program. For more information about Xerox® environmental programs, visit www.xerox.com/environment , or for recycling and disposal information, contact your local authorities.

European Union

Some equipment may be used in both a domestic/household and a professional/business application.

Domestic/Household Environment



Application of this symbol on your equipment is confirmation that you should not dispose of the equipment in the normal household waste stream.

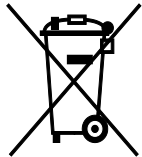


In accordance with European legislation, end of life electrical and electronic equipment subject to disposal must be segregated from household waste.

Private households within EU member states may return used electrical and electronic equipment to designated collection facilities free of charge. Please contact your local disposal authority for information.

In some member states, when you purchase new equipment, your local retailer may be required to take back your old equipment free of charge. Please ask your retailer for information.

Professional/Business Environment



Application of this symbol on your equipment is confirmation that you must dispose of this equipment in compliance with agreed national procedures.



In accordance with European legislation, end of life electrical and electronic equipment subject to disposal must be managed within agreed procedures.

Prior to disposal, please contact your local reseller or Xerox representative for end of life take-back information.

Collection and Disposal of Equipment and Batteries



These symbols on the products and/or accompanying documents mean that used electrical and electronic products and batteries should not be mixed with general household waste.

For proper treatment, recovery, and recycling of old products and used batteries, please take them to applicable collection points, in accordance with your national legislation and the Directive 2002/96/EC and 2006/66/EC.

By disposing of these products and batteries correctly, you will help to save valuable resources and prevent any potential negative effects on human health and the environment which could otherwise arise from inappropriate waste handling.

For more information about collection and recycling of old products and batteries, please contact your local municipality, your waste disposal service or the point of sale where you purchased the items.

Penalties may be applicable for incorrect disposal of this waste, in accordance with national legislation.

Business Users in the European Union

If you wish to discard electrical and electronic equipment, please contact your dealer or supplier for further information.

Disposal Outside of the European Union

These symbols are only valid in the European Union. If you wish to discard these items, please contact your local authorities or dealer and ask for the correct method of disposal.

Battery Symbol Note



This wheeled bin symbol may be used in combination with a chemical symbol. This establishes compliance with the requirements set out by the Directive.

Battery Removal

Batteries should only be replaced by a MANUFACTURER-approved service facility.

Other Countries

Please contact your local waste management authority to request disposal guidance.